



Transformer



1M000000

X0

X0

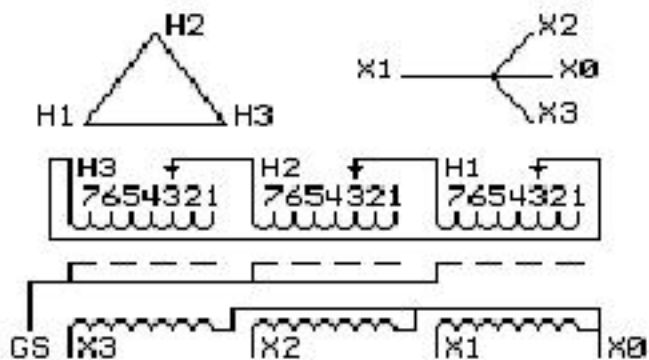
Catalog Number
9T61B3871G04

Type **QL**

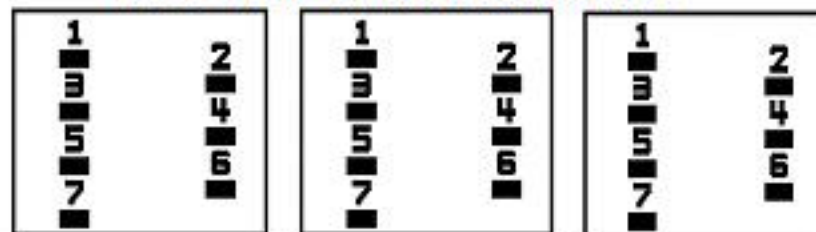
15.0 KVA 60 HZ 3 PH 5.8 % IMP

40 C AMB. 150 C RISE 220 C SYSTEM IS-19C

Note: Design is based on 15.00KVA & 150C Rise 5.8% Imp.



COIL TAP ARRANGEMENT



NSALEØ 11.000480C
+2,-4 2.50%)
208Y/120

Ø911

N

N9T18Y4317G11T

RANSFORMER N

ON-SIN K=13HØ

Ø

NET WGT
240 LB
108.9 Kg

57765
XV371

NOG
092215

INSPECTION
&
FINAL TEST
N539!

52Ø



LISTED 769G

Assembled in Mexico

X3 - X2 - X1 - X0

- H3 - H2 - H1

Note: Standard

9T61B387ØG839T61B387ØG83

15Ø922HB7 3Ø3B4Ø1AAPØ71 YNNN 4Ø 8Ø

22ØIS-19COL 3 6ØAL1ØØ15ØY11.ØØ 3.9 24

Ø 48Ø(+2,-4 2.5

ELECTROSTATIC GROUND SHIELD IN EACH PHASE

ENCLOSURE TYPE 2 (IP30). RAINPROOF TYPE 3R ENCLOSURE (IP32) WHEN PROVIDED SHIELD 9T18Y4317G11

SUITABLE FOR NONSINUSOIDAL CURRENT LOAD WITH K-FACTOR NOT TO EXCEED 13

BEFORE HANDLING, INSTALLING AND OPERATING, SEE INSTRUCTION 475A667AAPØØ1

Outline: 3Ø3B4Ø1AAPØ71

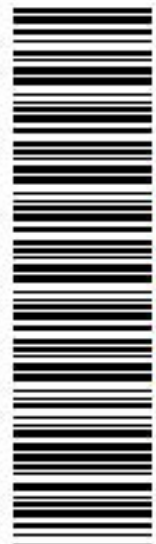
ALUMINUM CONDUCTOR

PRIMARY: 10 KV BIL

SECONDARY: 10 KV BIL

IN ACCORDANCE WITH NEC SECTION 450-9, ALLOW AT LEAST SIX INCHES

CLEARANCE FOR VENTILATION. CHECK ADDITIONAL NEC AND LOCAL CODES.



2M000000



3M000000

X3

- H3

- X2

- H2

- X1

- H1

X3

- H3

- X2

- H2

- X1

- H1