



# K Factor Transformer



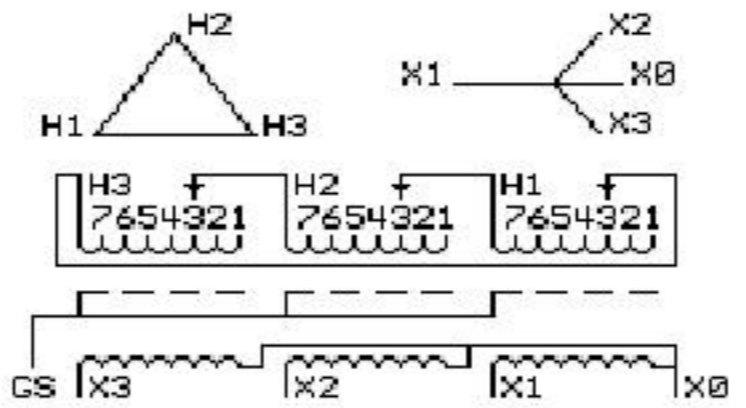
\*1M0000000\*

Catalog Number **9Q3A025AAAA13C2T00** Type QL  
9T61B3872G84

**25.0 KVA 60 HZ 3 PH 1.9 % IMP**

40 C AMB. 80 C RISE 220 C SYSTEM IS-19C

Note: Design is based on 75.00KVA & 150C Rise 6.3% Imp.



JUMPER CONNECTION	
TAP	VOLTS
1	502
2	491
3	480
4	469
5	455
6	444
7	433

NET WGT  
620 LB  
281.2 Kg

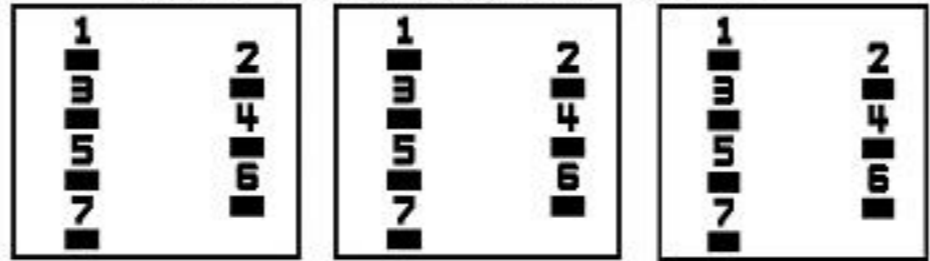
55668  
XU374

NOG  
121015

INSPECTION  
&  
FINAL TEST  
N550!

PRIMARY (H) 480 VOLTS (LINE-LINE)  
 SECONDARY (X) 208 VOLTS (LINE-LINE)  
 120 VOLTS (LINE-NEUTRAL)

### COIL TAP ARRANGEMENT



ELECTROSTATIC GROUND SHIELD IN EACH PHASE

ENCLOSURE TYPE 2 (IP30). RAINPROOF TYPE 3R ENCLOSURE (IP32) WHEN PROVIDED SHIELD 9T18Y4317G06

SUITABLE FOR NONSINUSOIDAL CURRENT LOAD WITH K-FACTOR NOT TO EXCEED 13

BEFORE HANDLING, INSTALLING AND OPERATING, SEE INSTRUCTION 475A667AAP001 Outline: 303B401AAP074

ALUMINUM CONDUCTOR PRIMARY: 10 KV BIL SECONDARY: 10 KV BIL

IN ACCORDANCE WITH NEC SECTION 450-9, ALLOW AT LEAST SIX INCHES CLEARANCE FOR VENTILATION. CHECK ADDITIONAL NEC AND LOCAL CODES.

Assembled in Mexico

X3 - X2 - X1 - -  
 - H3 - H2 - H1

Note: X0 Terminal at the bottom



\*2M0000000\*



\*3M0000000\*

X3 - X2 - X1 -  
 - H3 - H2 - H1  
 X3 - X2 - X1 -  
 - H3 - H2 - H1

X0