



Transformer



1M000000

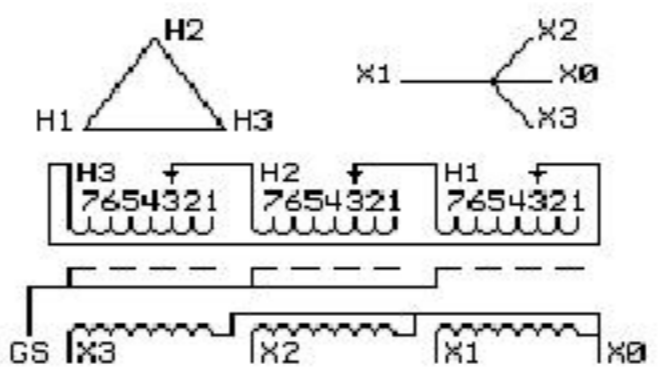
Catalog Number **9Q3A075AAAA13D2T00** Type **QL**

9T61B3874G33

75.0 KVA 60 HZ 3 PH 3.8 % IMP

40 C AMB. 130 C RISE 220 C SYSTEM IS-19C

Note: Design is based on 112.5KVA & 150C Rise 6.4% Imp.



| JUMPER CONNECTION | |
|-------------------|-------|
| TAP | VOLTS |
| 1 | 504 |
| 2 | 490 |
| 3 | 480 |
| 4 | 466 |
| 5 | 456 |
| 6 | 442 |
| 7 | 432 |

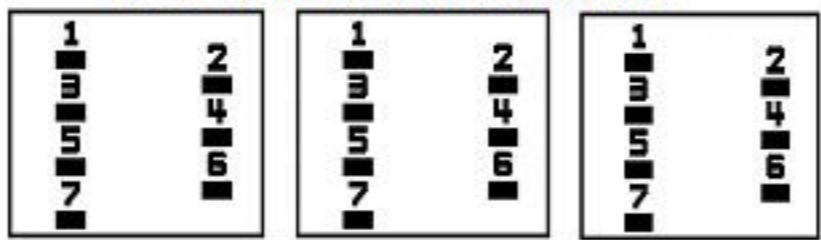
NET WGT
765 LB
347.0 Kg

55092
XV375
NOG
072115

INSPECTION & FINAL TEST N530!

PRIMARY (H) 480 VOLTS (LINE-LINE)
 SECONDARY (X) 208 VOLTS (LINE-LINE)
 120 VOLTS (LINE-NEUTRAL)

COIL TAP ARRANGEMENT



LISTED 769G

ELECTROSTATIC GROUND SHIELD IN EACH PHASE

IMPORTANT SERVICE INFORMATION

SEE INSTRUCTION ON INSIDE FRONT COVER FOR ADDITIONAL SERVICE INSTRUCTIONS.
 ENCLOSURE TYPE 2 (I20).
 ALUMINUM CONDUCTOR PRIMARY: 10 KV BIL SECONDARY: 10 KV BIL

Outline: 303B401AAP075

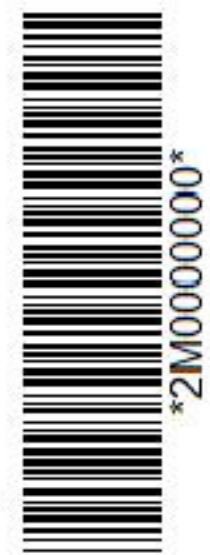
IN ACCORDANCE WITH NEC SECTION 450-9, ALLOW AT LEAST SIX INCHES CLEARANCE FOR VENTILATION. CHECK ADDITIONAL NEC AND LOCAL CODES.

Assembled in Mexico

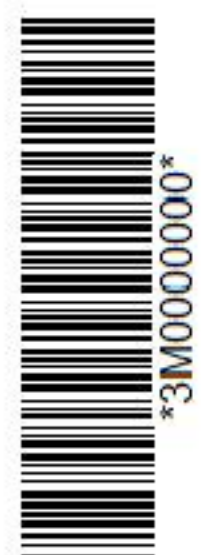
X3 - X2 - X1 - -
 - H3 - H2 - H1

Note: X0 Terminal at the bottom

X1 - -
 X2 - -
 X3 - -
 H1 - -
 H2 - -
 H3 - -
 X0 - -
 X1 - -
 X2 - -
 X3 - -
 H1 - -
 H2 - -
 H3 - -



2M000000



3M000000