



# Transformer



\*1M000000\*

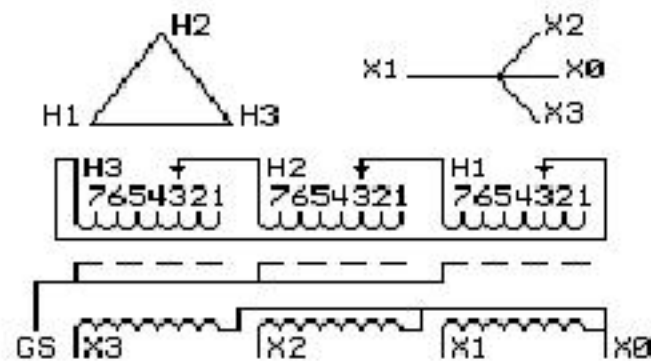
**Catalog Number**  
**9T61C9063G03**

**Type** QL

**45.0 KVA 60 HZ 3 PH 3.4 % IMP**

40 C AMB. 150 C RISE 220 C SYSTEM IS-19C

Note: Design is based on 75.00KVA & 150C Rise 5.7% Imp.



| JUMPER CONNECTION |       |
|-------------------|-------|
| TAP               | VOLTS |
| 1                 | 398   |
| 2                 | 388   |
| 3                 | 380   |
| 4                 | 371   |
| 5                 | 360   |
| 6                 | 350   |
| 7                 | 343   |

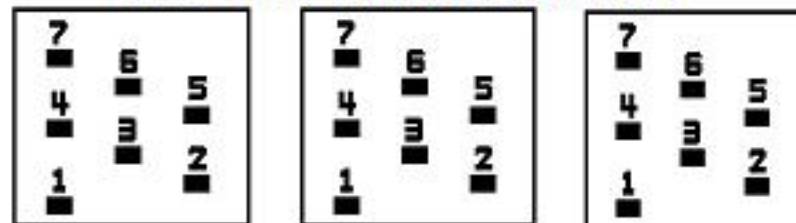
NET WGT  
710 LB  
322.1 Kg

37964  
XV374  
NOG  
081115

INSPECTION  
&  
FINAL TEST  
N533!

PRIMARY (H) 380 VOLTS (LINE-LINE)  
 SECONDARY (X) 220 VOLTS (LINE-LINE)  
 127 VOLTS (LINE-NEUTRAL)

### COIL TAP ARRANGEMENT



LISTED 769G

ELECTROSTATIC GROUND SHIELD IN EACH PHASE

ENCLOSURE TYPE 2 (IP30). RAINPROOF TYPE 3R ENCLOSURE (IP32) WHEN PROVIDED SHIELD 9T18Y4317G06

SUITABLE FOR NONSINUSOIDAL CURRENT LOAD WITH K-FACTOR NOT TO EXCEED 13

BEFORE HANDLING, INSTALLING AND OPERATING, SEE INSTRUCTION 475A667AAP001

Outline: 303B401AAP074

COPPER CONDUCTOR

PRIMARY: 10 KV BIL

SECONDARY: 10 KV BIL

Assembled in Mexico

X3 - X2 - X1 - -  
 - H3 - H2 - H1

Note: X0 Terminal at the bottom



\*2M000000\*



\*3M000000\*

X3 - X2 - X1 - -  
 - H3 - H2 - H1  
 X3 - X2 - X1 - -  
 - H3 - H2 - H1

X0