



Transformer



1M000000

Catalog Number

9T61C9140G13

Type QL

11.0 KVA 60 HZ 3 PH 3.6 % IMP

40 C AMB. 115 C RISE 220 C SYSTEM IS-19C

Note: Design is based on 15.00KVA & 150C Rise 5.9% Imp.

PRIMARY (H) 480 VOLTS (LINE-LINE)
SECONDARY (X) 208 VOLTS (LINE-LINE)
120 VOLTS (LINE-NEUTRAL)

ELECTROSTATIC GROUND SHIELD IN EACH PHASE

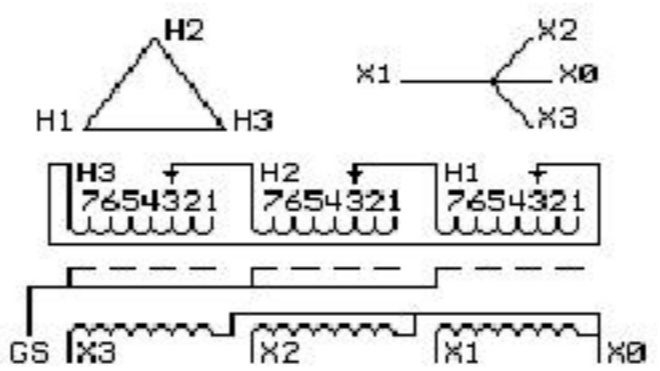
ENCLOSURE TYPE 2 (IP30). RAINPROOF TYPE 3R ENCLOSURE (IP32) WHEN PROVIDED SHIELD 9T18Y4317G11
SUITABLE FOR NONSINUSOIDAL CURRENT LOAD WITH K-FACTOR NOT TO EXCEED 13
BEFORE HANDLING, INSTALLING AND OPERATING, SEE INSTRUCTION 475A667AAP001 Outline: 303B401AAP071
COPPER CONDUCTOR PRIMARY: 10 KV BIL SECONDARY: 10 KV BIL

IN ACCORDANCE WITH NEC SECTION 450-9, ALLOW AT LEAST SIX INCHES CLEARANCE FOR VENTILATION. CHECK ADDITIONAL NEC AND LOCAL CODES.

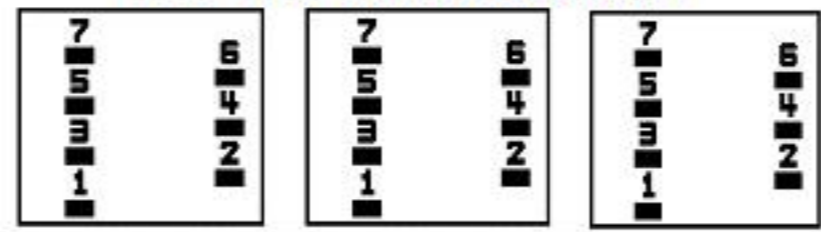
GE Energy Industrial Solutions

NEMA CLASS AA DRY TYPE TRANSFORMER

Meets TP-1 2002 efficiency



COIL TAP ARRANGEMENT



JUMPER CONNECTION	
TAP	VOLTS
1	505
2	492
3	480
4	467
5	456
6	445
7	432

NET WGT
250 LB
113.4 Kg

32271
XV371
NOG
071615

INSPECTION & FINAL TEST N529!



LISTED 769G

Assembled in Mexico

X3 - X2 - X1 - X0
- H3 - H2 - H1

Note: Standard

X0

X1 -

X2 -

X3 -

H3 - H2 - H1

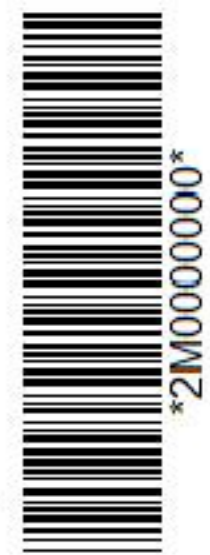
X1 -

X2 -

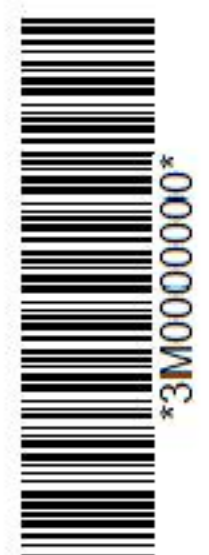
X3 -

X0

H3 - H2 - H1



2M000000



3M000000