



# Transformer



\*1M000000\*

Catalog Number

Type QL

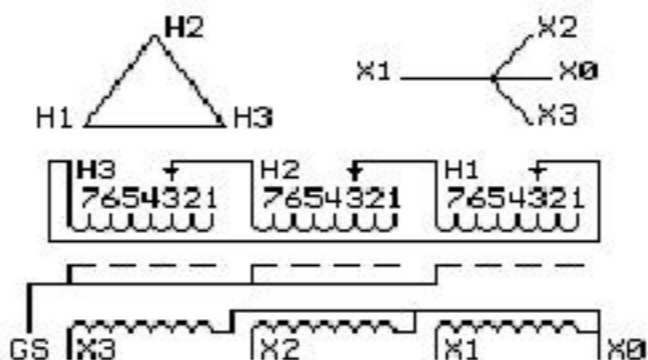
9Q3C045AAAD13B2T00

9T61C9853G13

45.0 KVA 60 HZ 3 PH 3.1 % IMP

40 C AMB. 115 C RISE 220 C SYSTEM IS-19C

Note: Design is based on 75.00KVA & 115C Rise 5.2% Imp.



JUMPER CONNECTION	
TAP	VOLTS
1	506
2	491
3	480
4	468
5	457
6	446
7	431

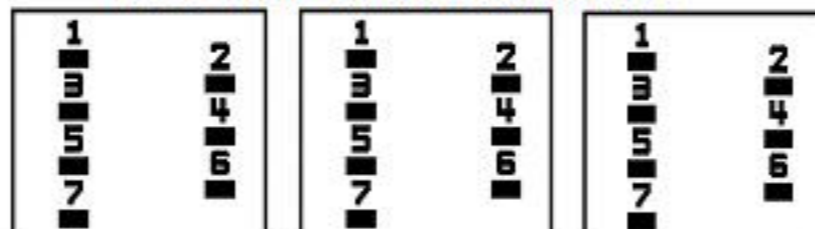
NET WGT  
710 LB  
322.1 Kg

55721  
XV374  
NOG  
082615

INSPECTION  
&  
FINAL TEST  
N535!

PRIMARY (H) 480 VOLTS (LINE-LINE)  
 SECONDARY (X) 480 VOLTS (LINE-LINE)  
 277 VOLTS (LINE-NEUTRAL)

### COIL TAP ARRANGEMENT



LISTED 769G

ELECTROSTATIC GROUND SHIELD IN EACH PHASE

ENCLOSURE TYPE 2 (IP30). RAINPROOF TYPE 3R ENCLOSURE (IP32) WHEN PROVIDED SHIELD 9T18Y4317G06

SUITABLE FOR NONSINUSOIDAL CURRENT LOAD WITH K-FACTOR NOT TO EXCEED 13

BEFORE HANDLING, INSTALLING AND OPERATING, SEE INSTRUCTION 475A667AAP001

Outline: 303B401AAP074

COPPER CONDUCTOR

PRIMARY: 10 KV BIL

SECONDARY: 10 KV BIL

IN ACCORDANCE WITH NEC SECTION 450-9, ALLOW AT LEAST SIX INCHES CLEARANCE FOR VENTILATION. CHECK ADDITIONAL NEC AND LOCAL CODES.

Assembled in Mexico

X3 - X2 - X1 - -  
 - H3 - H2 - H1

Note: X0 Terminal at the bottom



\*2M000000\*



\*3M000000\*

X1 - -  
 X2 - -  
 X3 - -  
 H1 - -  
 H2 - -  
 H3 - -  
 X0 - -  
 X1 - -  
 X2 - -  
 X3 - -  
 H1 - -  
 H2 - -  
 H3 - -