



Transformer



1M000000

Catalog Number

Type QL

9Q3C045AAAA07A2T00

9T61C9873G04

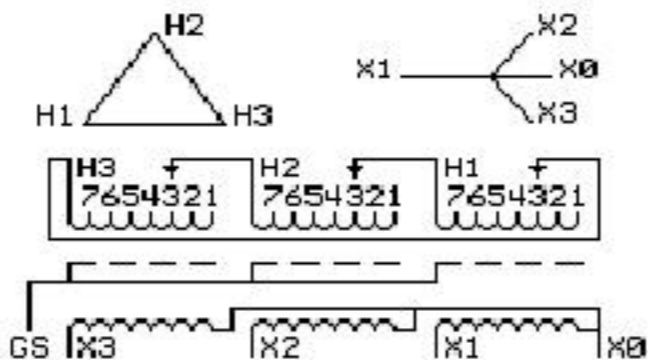
45.0 KVA 60 HZ 3 PH 3 % IMP

40 C AMB. 150 C RISE 220 C SYSTEM IS-19C

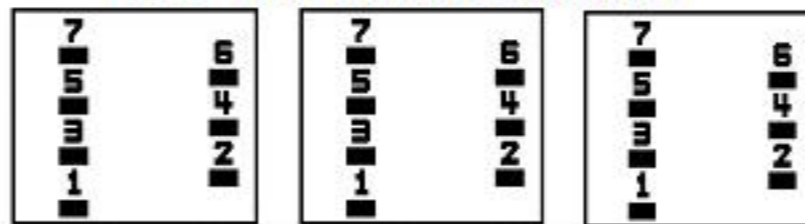
Note: Design is based on 75.00KVA & 150C Rise 5.6% Imp.

PRIMARY (H) 480 VOLTS (LINE-LINE)
 SECONDARY (X) 208 VOLTS (LINE-LINE)
 120 VOLTS (LINE-NEUTRAL)

ELECTROSTATIC GROUND SHIELD IN EACH PHASE



COIL TAP ARRANGEMENT



JUMPER CONNECTION	
TAP	VOLTS
1	503
2	492
3	480
4	469
5	458
6	443
7	432

NET WGT
710 LB
322.1 Kg

42965
XV374
NOG
081115

INSPECTION
&
FINAL TEST
N533!

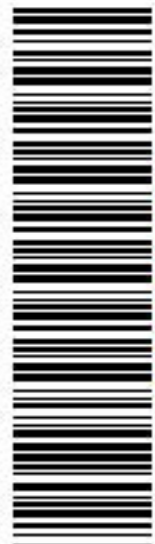


LISTED 769G

Assembled in Mexico

X3 - X2 - X1 - -
 - H3 - H2 - H1

Note: X0 Terminal at the bottom



2M000000



3M000000

X1 - -
 - H3 - H2 - H1
 X2 - -
 X3 - -
 X0
 X1 - -
 - H3 - H2 - H1