



Transformer



1M000000

Catalog Number

Type QL

9Q3C075AAAA07D2T30

9T61C9874G34

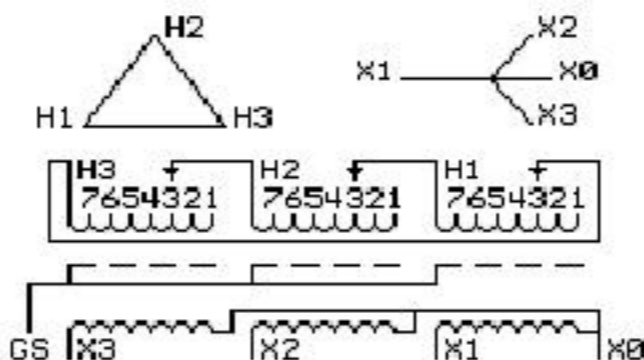
75.0 KVA 60 HZ 3 PH 3 % IMP

40 C AMB. 130 C RISE 220 C SYSTEM IS-19C

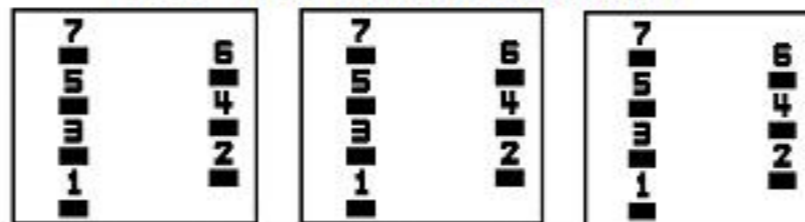
Note: Design is based on 112.5KVA & 150C Rise 5% Imp.

PRIMARY (H) 480 VOLTS (LINE-LINE)
SECONDARY (X) 208 VOLTS (LINE-LINE)
120 VOLTS (LINE-NEUTRAL)

ELECTROSTATIC GROUND SHIELD IN EACH PHASE



COIL TAP ARRANGEMENT



JUMPER CONNECTION	
TAP	VOLTS
1	505
2	490
3	480
4	470
5	455
6	445
7	430

NET WGT
950 LB
430.9 Kg

55111
XV375
NOG
081115

INSPECTION
&
FINAL TEST
N533!

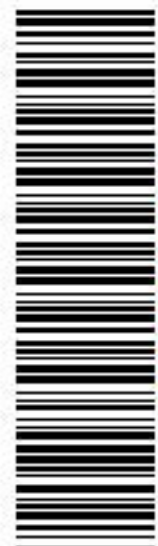


LISTED 769G

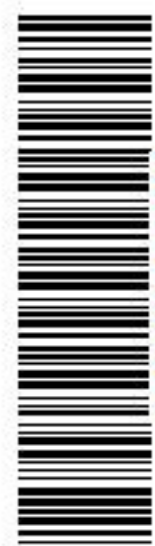
Assembled in Mexico

X3 - X2 - X1 - -
- H3 - H2 - H1

Note: X0 Terminal at the bottom



2M000000



3M000000

X3 - X2 - X1 - -
- H3 - H2 - H1
X3 - X2 - X1 - -
- H3 - H2 - H1
X0