



Transformer



1M000000

Catalog Number **Type** QL

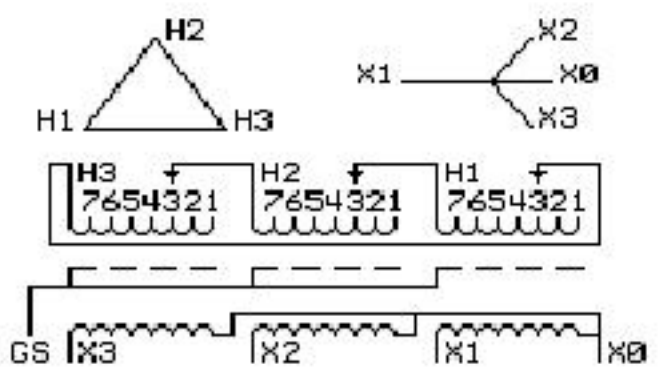
9Q3C112AAAA07D2T00

9T61C9875G34

112.5 KVA 60 HZ 3 PH 3.9 % IMP

40 C AMB. 130 C RISE 220 C SYSTEM IS-19C

Note: Design is based on 150.0KVA & 150C Rise 5.5% Imp.



JUMPER CONNECTION	
TAP	VOLTS
1	50E
2	491
3	480
4	470
5	454
6	444
7	433

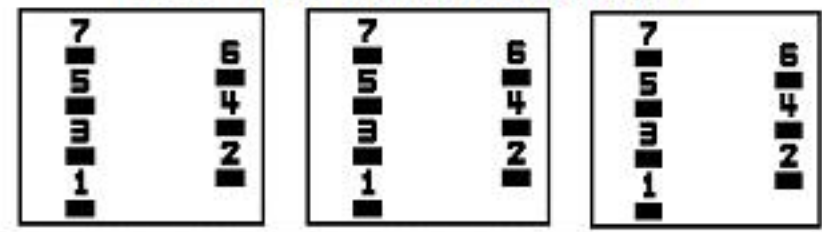
NET WGT
1190 LB
539.8 Kg

43001
XV376
NOG
072715

INSPECTION
&
FINAL TEST
N531!

PRIMARY (H) 480 VOLTS (LINE-LINE)
 SECONDARY (X) 208 VOLTS (LINE-LINE)
 120 VOLTS (LINE-NEUTRAL)

COIL TAP ARRANGEMENT



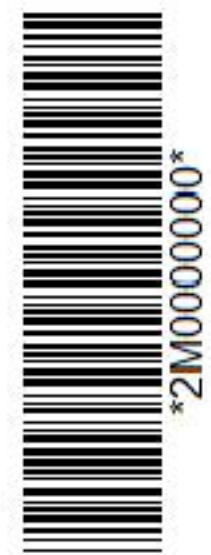
ELECTROSTATIC GROUND SHIELD IN EACH PHASE

ENCLOSURE TYPE 2 (IP30). RAINPROOF TYPE 3R ENCLOSURE (IP32) WHEN PROVIDED SHIELD 9T18Y4317G07
 SUITABLE FOR NONSINUSOIDAL CURRENT LOAD WITH K-FACTOR NOT TO EXCEED 13
 BEFORE HANDLING, INSTALLING AND OPERATING, SEE INSTRUCTION 475A667AAP001 Outline: 303B401AAP076
 COPPER CONDUCTOR PRIMARY: 10 KV BIL SECONDARY: 10 KV BIL

Assembled in Mexico

X3 - X2 - X1 - -
 - H3 - H2 - H1

Note: X0 Terminal at the bottom



2M000000



3M000000

X1 - -
 - H3 - H2 - H1
 X2 - -
 - H3 - H2 - H1
 X3 - -
 - H3 - H2 - H1
 X0