



# Transformer



\*1M000000\*

Catalog Number **9Q3A015AAA07A2P30** Type **QL**

**9T61V3871G24**

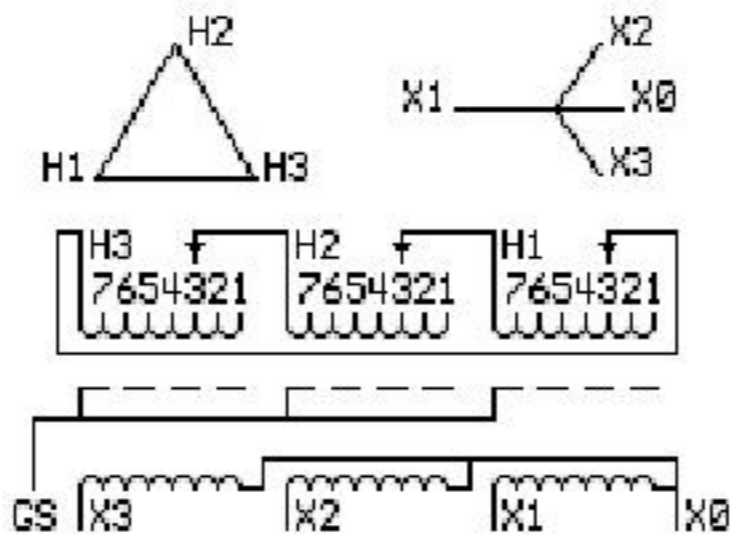
**15.0 KVA 60 HZ 3 PH 4.8 % IMP**

40 C AMB. 115 C RISE 220 C SYSTEM IS-19C

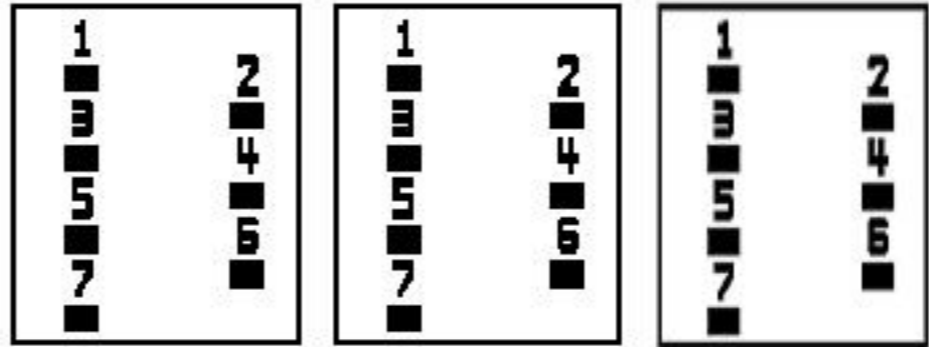
Note: Design is based on 15.00KVA & 150C Rise 5.8% Imp.

PRIMARY (H) 480 VOLTS (LINE-LINE)  
SECONDARY (X) 208 VOLTS (LINE-LINE)  
120 VOLTS (LINE-NEUTRAL)

ELECTROSTATIC GROUND SHIELD IN EACH PHASE



### COIL TAP ARRANGEMENT



JUMPER CONNECTION	
TAP	VOLTS
1	504
2	492
3	480
4	469
5	455
6	444
7	432

NET WGT  
230 LB  
104.3 Kg

45671  
S31AC

NOG  
100615

INSPECTION  
&  
FINAL TEST  
N541!



LISTED 769G

Assembled in Mexico

ENCLOSURE TYPE 2 (IP30). RAINPROOF TYPE 3R ENCLOSURE (IP32) WHEN PROVIDED SHIELD 9T18Y4317G11

SUITABLE FOR NONSINUSOIDAL CURRENT LOAD WITH K-FACTOR NOT TO EXCEED 13

BEFORE HANDLING, INSTALLING AND OPERATING, SEE INSTRUCTION 475A667AAP001

Outline: 303B421AAP071

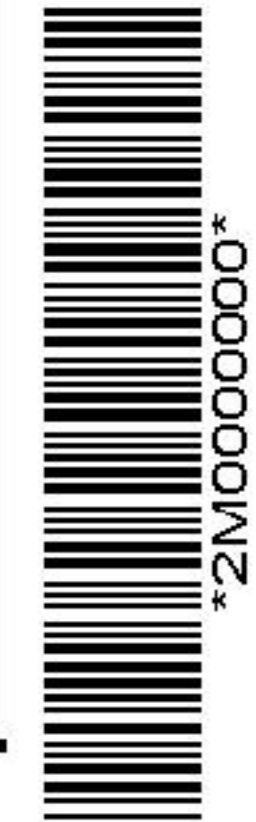
ALUMINUM CONDUCTOR PRIMARY: 10 KV BIL SECONDARY: 10 KV BIL

IN ACCORDANCE WITH NEC SECTION 450-9, ALLOW AT LEAST SIX INCHES CLEARANCE FOR VENTILATION. CHECK ADDITIONAL NEC AND LOCAL CODES.

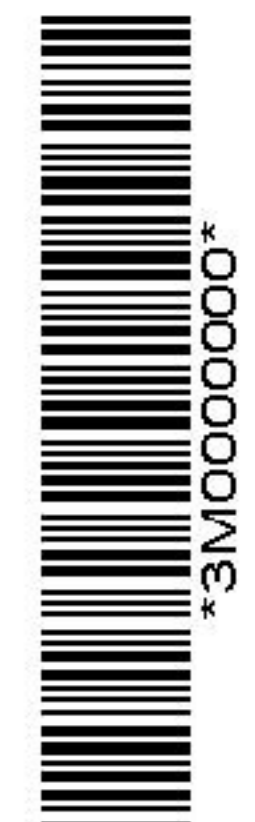
X3 - X2 - X1 - X0  
- H3 - H2 - H1

Note: Standard

X0  
-  
X1 - H1  
-  
X2 - H2  
-  
X3 - H3  
-  
X1 - H1  
-  
X2 - H2  
-  
X3 - H3  
-  
X0



\*2M000000\*



\*3M000000\*