



# Transformer

Catalog Number 9T61V9875G14

**9Q3C112AAAA07B2P00**

**112.5 KVA    60 HZ    3 PH    2.9 % IMP**

40 C AMB.    115 C RISE    220 C SYSTEM    IS-19C    Type: QL

Note: Design is based on 225.0KVA & 150C Rise 6% Imp.

PRIMARY (H)    480 VOLTS (LINE-LINE)  
SECONDARY (X)    208 VOLTS (LINE-LINE)  
                          120 VOLTS (LINE-NEUTRAL)

ELECTROSTATIC GROUND SHIELD IN EACH PHASE

ENCLOSURE TYPE 2 (IP30). RAINPROOF TYPE 3R ENCLOSURE (IP32) WHEN PROVIDED SHIELD 9T18Y4322G88

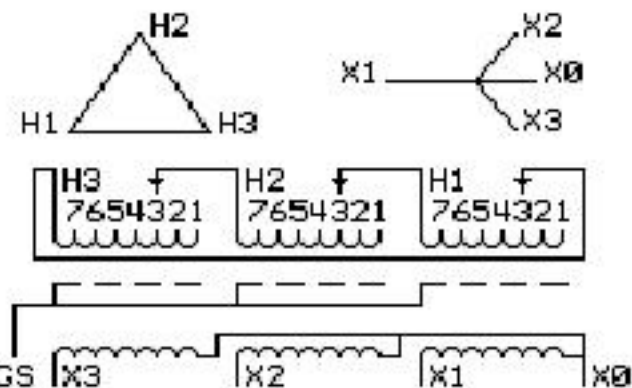
SUITABLE FOR NONSINUSOIDAL CURRENT LOAD WITH K-FACTOR NOT TO EXCEED 13  
BEFORE HANDLING, INSTALLING AND OPERATING, SEE INSTRUCTION 475A667AAP001  
COPPER CONDUCTOR                      PRIMARY: 10 KV BIL                      SECONDARY: 10 KV BIL

**IN ACCORDANCE WITH NEC SECTION 450-9, ALLOW AT LEAST SIX INCHES  
CLEARANCE FOR VENTILATION. CHECK ADDITIONAL NEC AND LOCAL CODES.**

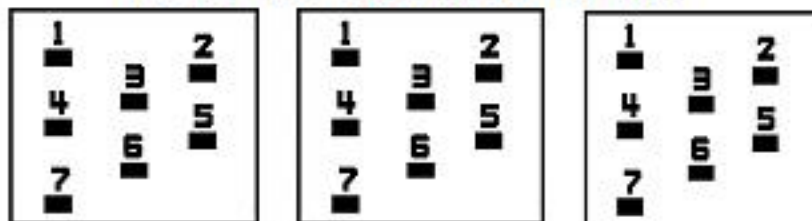
GE Energy Industrial Solutions

**NEMA CLASS AA DRY TYPE TRANSFORMER**

Meets TP-1 2002 efficiency



### COIL TAP ARRANGEMENT



### JUMPER CONNECTION

TAP	VOLTS
1	506
2	493
3	480
4	468
5	455
6	442
7	430

NET WGT 1710 LB    775.7 Kg

081115    N533!    S37AC  
47034    NOG



LISTED 769G

Outline: 3038918AAP077  
Assembled in Mexico

INSPECTION & FINAL TEST  
N533!

