



Transformer



1M0000000

X0

X0

Catalog Number

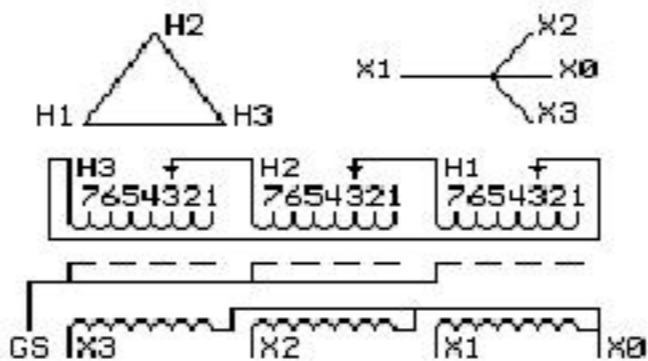
TYPE QL

9T61W3870G03

11.0 KVA 60 HZ 3 PH 4.3 % IMP

40 C AMB. 150 C RISE 220 C SYSTEM IS-19C

Note: Design is based on 15.00KVA & 150C Rise 5.8% Imp.



NSALE0 15.000480C
+2,-4 2.50%)
208Y/120

0911

NN

N9T18Y4317G11T

TRANSFORMER N

ON-SIN K=13H0

0 ASB5

NET WGT

240 LB

108.9 Kg

9T40G00C7

57785

XV371

NOG

092215

INSPECTION

&

FINAL TEST

N539!

520

X1 -

X2 -

X3 -

H1 -

H2 -

H3 -

X1 -

X2 -

X3 -

H1 -

H2 -

H3 -

9T61B3871G239T61B3871G23

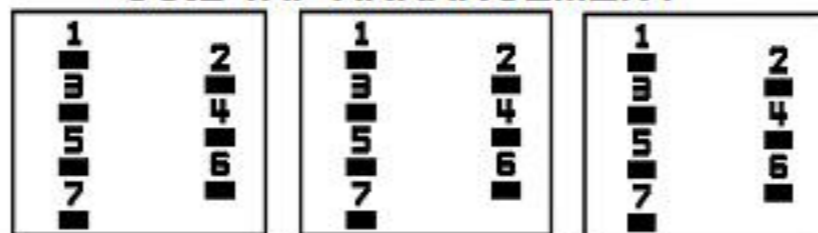
150922KKE 303B401AAP071 YNNN 40150

220IS-19COL 3 60AL100150Y15.00 5.8 24

0 400 480(+2,-4 2.5

ELECTROSTATIC GROUND SHIELD IN EACH PHASE

COIL TAP ARRANGEMENT



LISTED 769G

Assembled in Mexico

ENCLOSURE TYPE 2 (IP30). RAINPROOF TYPE 3R ENCLOSURE (IP32) WHEN PROVIDED SHIELD 9T18W4317G11

SUITABLE FOR NONSINUSOIDAL CURRENT LOAD WITH K-FACTOR NOT TO EXCEED 13

BEFORE HANDLING, INSTALLING AND OPERATING, SEE INSTRUCTION 475A667AAP001

Outline: 303B401MWP071

ALUMINUM CONDUCTOR

PRIMARY: 10 KV BIL

SECONDARY: 10 KV BIL

IN ACCORDANCE WITH NEC SECTION 450-9, ALLOW AT LEAST SIX INCHES

CLEARANCE FOR VENTILATION. CHECK ADDITIONAL NEC AND LOCAL CODES.

X3 - X2 - X1 - X0

- H3 - H2 - H1

Note: Standard



2M0000000



3M0000000