



Transformer



1M000000

Catalog Number

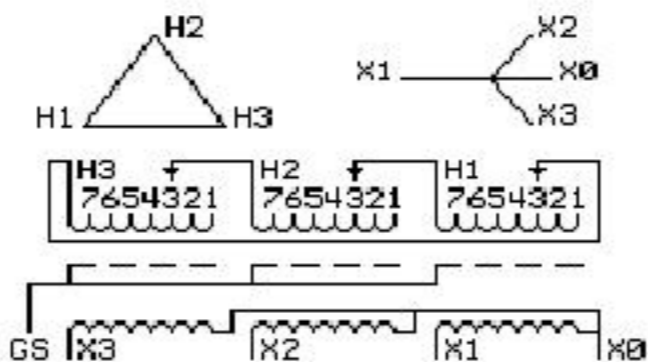
TYPE QL

9T61W9873G23

45.0 KVA 60 HZ 3 PH 3.2 % IMP

40 C AMB. 115 C RISE 220 C SYSTEM IS-19C

Note: Design is based on 75.00KVA & 150C Rise 5.6% Imp.



| JUMPER CONNECTION TAP | VOLTS |
|-----------------------|-------|
| 1 | 503 |
| 2 | 492 |
| 3 | 480 |
| 4 | 469 |
| 5 | 458 |
| 6 | 443 |
| 7 | 432 |

NET WGT

710 LB

322.1 Kg

9T40G00C7

42965

XV374

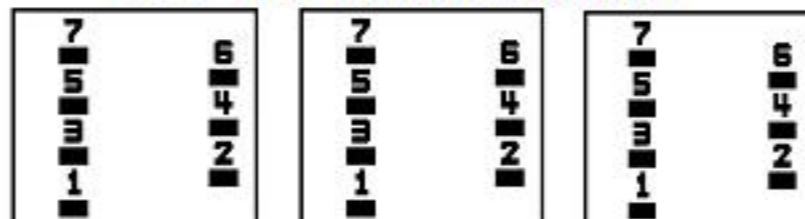
NOG

081115

INSPECTION & FINAL TEST N533!

PRIMARY (H) 480 VOLTS (LINE-LINE)
 SECONDARY (X) 208 VOLTS (LINE-LINE)
 120 VOLTS (LINE-NEUTRAL)

COIL TAP ARRANGEMENT



LISTED 769G

ELECTROSTATIC GROUND SHIELD IN EACH PHASE

ENCLOSURE TYPE 2 (IP30). RAINPROOF TYPE 3R ENCLOSURE (IP32) WHEN PROVIDED SHIELD 9T18W4317G06

SUITABLE FOR NONSINUSOIDAL CURRENT LOAD WITH K-FACTOR NOT TO EXCEED 13

BEFORE HANDLING, INSTALLING AND OPERATING, SEE INSTRUCTION 475A667AAP001

Outline: 303B401MWP074

COPPER CONDUCTOR

PRIMARY: 10 KV BIL

SECONDARY: 10 KV BIL

Assembled in Mexico

X3 - X2 - X1 - -
 - H3 - H2 - H1

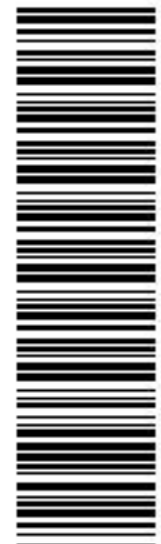
Note: X0 Terminal at the bottom

Midwest Electric Products

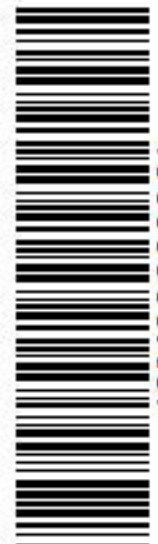
NEMA CLASS AA DRY TYPE TRANSFORMER

Meets TP-1 2002 efficiency

X3 - X2 - X1 - -
 - H3 - H2 - H1
 X3 - X2 - X1 - -
 - H3 - H2 - H1
 X0



2M000000



3M000000