



# Transformer



\*1M000000\*

Catalog Number

Type QL

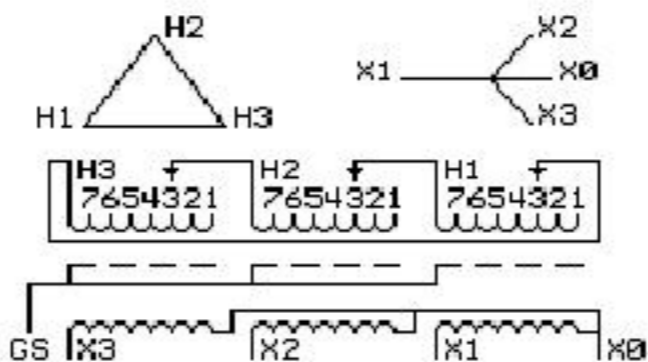
9Q3A030AAAZ20A2T00

9T62B3382G03

30.0 KVA 60 HZ 3 PH 4.7 % IMP

40 C AMB. 150 C RISE 220 C SYSTEM IS-19C

Note: Design is based on 45.00KVA & 150C Rise 6.6% Imp.



JUMPER CONNECTION	
TAP	VOLTS
1	505
2	492
3	480
4	467
5	456
6	445
7	431

NET WGT

415 LB  
188.2 Kg

45232

XV373

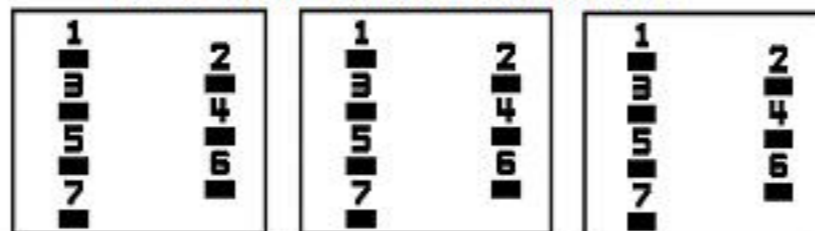
NOG

090315

INSPECTION  
&  
FINAL TEST  
N536!

PRIMARY (H) 480 VOLTS (LINE-LINE)  
 SECONDARY (X) 220 VOLTS (LINE-LINE)  
 127 VOLTS (LINE-NEUTRAL)

### COIL TAP ARRANGEMENT



LISTED 769G

ELECTROSTATIC GROUND SHIELD IN EACH PHASE

ENCLOSURE TYPE 2 (IP30). RAINPROOF TYPE 3R ENCLOSURE (IP32) WHEN PROVIDED SHIELD 9T18Y4317G05

SUITABLE FOR NONSINUSOIDAL CURRENT LOAD WITH K-FACTOR NOT TO EXCEED 20

BEFORE HANDLING, INSTALLING AND OPERATING, SEE INSTRUCTION 475A667AAP001

Outline: 303B401AAP073

ALUMINUM CONDUCTOR

PRIMARY: 10 KV BIL

SECONDARY: 10 KV BIL

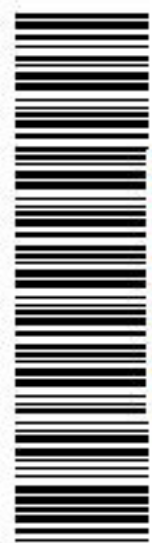
Assembled in Mexico

X3 - X2 - X1 - -  
 - H3 - H2 - H1

Note: X0 Terminal at the bottom



\*2M000000\*



\*3M000000\*

X1 - -  
 X2 - -  
 H3 - H2 - H1  
 X3 - X2 - X1 -  
 H3 - H2 - H1  
 X0