



K Factor Transformer

Catalog Number 9T62B3385G83

9Q3A112AAAZ20C2T00

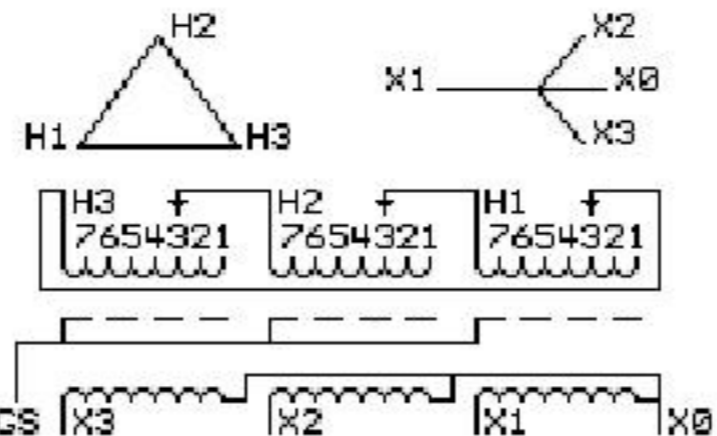
112.5 KVA 60 HZ 3 PH 3 % IMP

40 C AMB. 80 C RISE 220 C SYSTEM IS-19C Type: QL

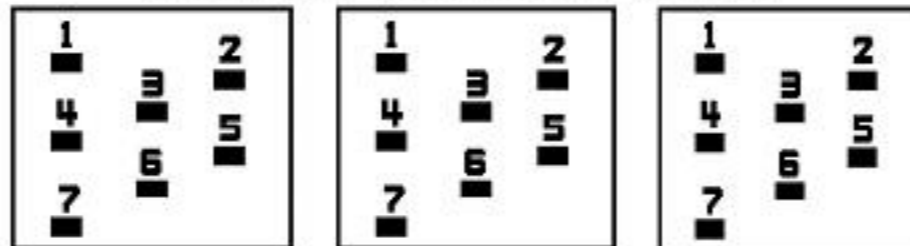
Note: Design is based on 225.0KVA & 150C Rise 6.2% Imp.

PRIMARY (H) 480 VOLTS (LINE-LINE)
SECONDARY (X) 220 VOLTS (LINE-LINE)
127 VOLTS (LINE-NEUTRAL)

ELECTROSTATIC GROUND SHIELD IN EACH PHASE



COIL TAP ARRANGEMENT



JUMPER CONNECTION	
TAP	VOLTS
1	502
2	489
3	480
4	470
5	457
6	445
7	432

NET WGT 1590 LB 721.2 Kg

121315 N551! XV377

47059 NOG



Outline: 303B919AAP077
Assembled in Mexico

INSPECTION & FINAL TEST
N551!

