



# Transformer



\*1M000000\*

**Catalog Number**  
**9T63C9872G83**

**Type** QL

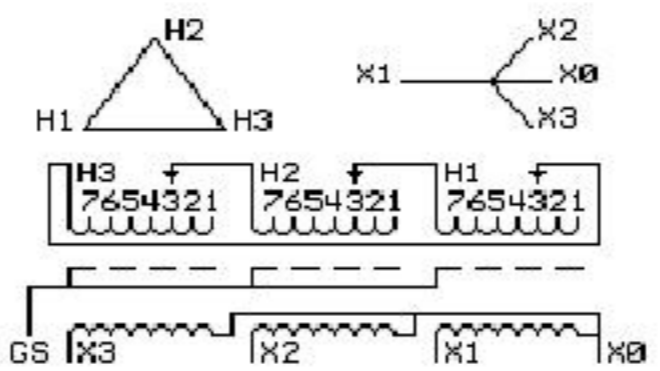
**30.0 KVA    60 HZ    3 PH    2.1 % IMP**

40 C AMB.    80 C RISE    220 C SYSTEM    IS-19C

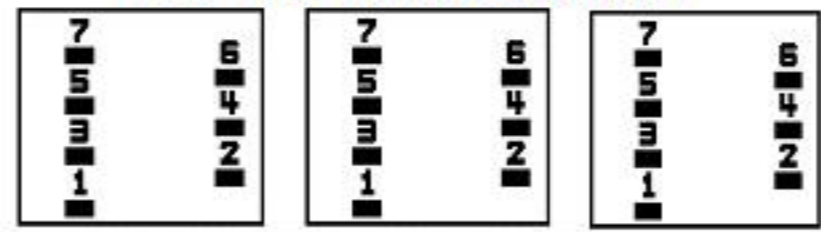
*Note: Design is based on 75.00KVA & 150C Rise 5.6% Imp.*

PRIMARY (H)    480 VOLTS (LINE-LINE)  
SECONDARY (X)    208 VOLTS (LINE-LINE)  
                          120 VOLTS (LINE-NEUTRAL)

ELECTROSTATIC GROUND SHIELD IN EACH PHASE



### COIL TAP ARRANGEMENT



JUMPER CONNECTION	
TAP	VOLTS
1	503
2	492
3	480
4	469
5	458
6	443
7	432

NET WGT  
710 LB  
322.1 Kg

42965  
XV374  
NOG  
081115

INSPECTION  
&  
FINAL TEST  
N533!



LISTED 769G

Assembled in Mexico

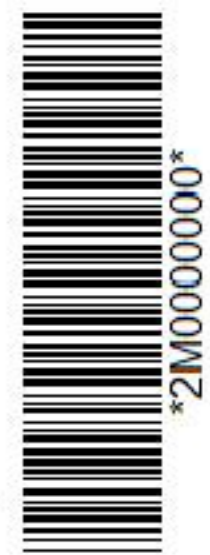
ENCLOSURE TYPE 2 (IP30). RAINPROOF TYPE 3R ENCLOSURE (IP32) WHEN PROVIDED SHIELD 9T18Y4317G06  
SUITABLE FOR NONSINUSOIDAL CURRENT LOAD WITH K-FACTOR NOT TO EXCEED 30  
BEFORE HANDLING, INSTALLING AND OPERATING, SEE INSTRUCTION 475A667AAP001    Outline: 303B401AAP074  
COPPER CONDUCTOR    PRIMARY: 10 KV BIL    SECONDARY: 10 KV BIL

**IN ACCORDANCE WITH NEC SECTION 450-9, ALLOW AT LEAST SIX INCHES CLEARANCE FOR VENTILATION. CHECK ADDITIONAL NEC AND LOCAL CODES.**

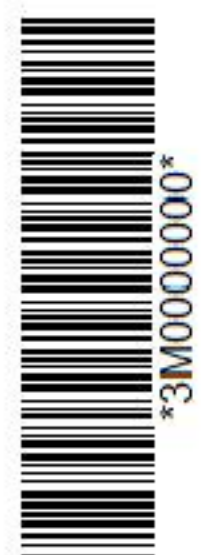
X3 - X2 - X1 - -  
- H3 - H2 - H1

Note: X0 Terminal at the bottom

X1 - -  
X2 - - H1  
H3 - H2 - H1  
X3 - X2 - X1 -  
X3 - H3 - H2 - H1



\*2M000000\*



\*3M000000\*