



# Transformer



\*1M000000\*

Catalog Number

Type QL

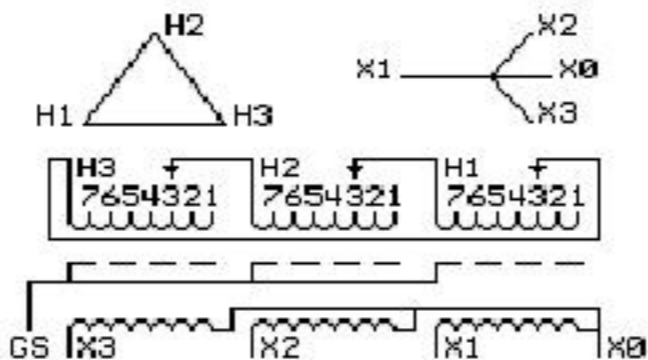
9Q3A075AGAD04A2T00

9T64B3634G03

75.0 KVA 60 HZ 3 PH 4.2 % IMP

40 C AMB. 150 C RISE 220 C SYSTEM IS-19C

Note: Design is based on 112.5KVA & 150C Rise 6.3% Imp.



JUMPER CONNECTION	
TAP	VOLTS
1	631
2	616
3	600
4	583
5	569
6	554
7	540

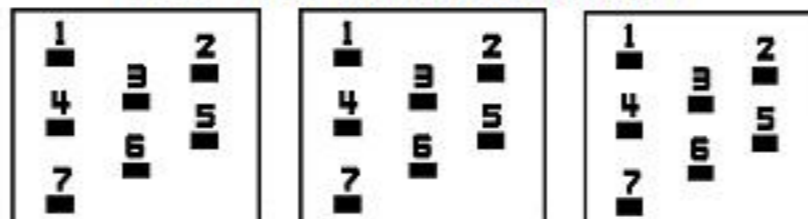
NET WGT  
765 LB  
347.0 Kg

55069  
XV375  
NOG  
072115

INSPECTION  
&  
FINAL TEST  
N530!

PRIMARY (H) 600 VOLTS (LINE-LINE)  
 SECONDARY (X) 480 VOLTS (LINE-LINE)  
 277 VOLTS (LINE-NEUTRAL)

### COIL TAP ARRANGEMENT



LISTED 769G

ELECTROSTATIC GROUND SHIELD IN EACH PHASE

ENCLOSURE TYPE 2 (IP30). RAINPROOF TYPE 3R ENCLOSURE (IP32) WHEN PROVIDED SHIELD 9T18Y4317G06

SUITABLE FOR NONSINUSOIDAL CURRENT LOAD WITH K-FACTOR NOT TO EXCEED 4

BEFORE HANDLING, INSTALLING AND OPERATING, SEE INSTRUCTION 475A667AAP001

Outline: 303B401AAP075

ALUMINUM CONDUCTOR PRIMARY: 10 KV BIL SECONDARY: 10 KV BIL

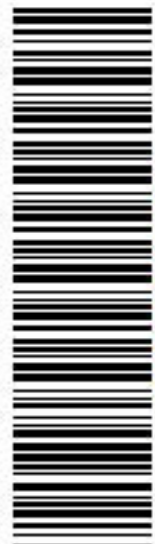
IN ACCORDANCE WITH NEC SECTION 450-9, ALLOW AT LEAST SIX INCHES CLEARANCE FOR VENTILATION. CHECK ADDITIONAL NEC AND LOCAL CODES.

Assembled in Mexico

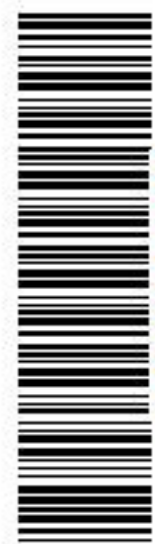
X3 - X2 - X1 - -  
 - H3 - H2 - H1

Note: X0 Terminal at the bottom

X1 - -  
 X2 - - H1  
 H3 - H2 - H1  
 X3 - X2 - X1 -  
 H3 - H2 - H1  
 X0



\*2M000000\*



\*3M000000\*