



Transformer



1M000000

X0

X0

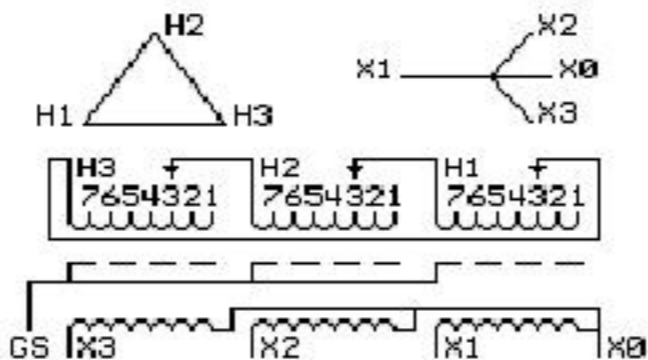
Catalog Number
9T64B3870G13

Type **QL**

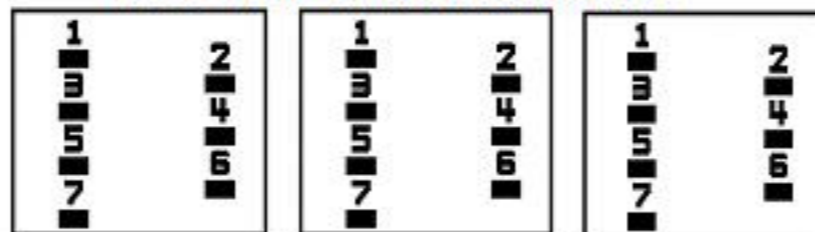
11.0 KVA 60 HZ 3 PH 4 % IMP

40 C AMB. 115 C RISE 220 C SYSTEM IS-19C

Note: Design is based on 15.00KVA & 150C Rise 5.8% Imp.



COIL TAP ARRANGEMENT



NSALE0 11.000480C

+2,-4 2.50%)

208Y/120

0911

N

N9T18Y4317G11T

TRANSFORMER N

ON-SIN K=0.4H0

0

NET WGT

240 LB

108.9 Kg

57765

XV371

NOG

092215

INSPECTION

&

FINAL TEST

N539!

520



LISTED 769G

Assembled in Mexico

X3 - X2 - X1 - X0

- H3 - H2 - H1

Note: Standard

9T64B3870G039T64B3870G03

150922MA3 303B401AAP071 YNNN 40150

220IS-19COL 3 60AL100150Y11.00 4.2 24

0 480(+2,-4 2.5

ELECTROSTATIC GROUND SHIELD IN EACH PHASE

ENCLOSURE TYPE 2 (IP30). RAINPROOF TYPE 3R ENCLOSURE (IP32) WHEN PROVIDED SHIELD 9T18Y4317G11

SUITABLE FOR NONSINUSOIDAL CURRENT LOAD WITH K-FACTOR NOT TO EXCEED 4

BEFORE HANDLING, INSTALLING AND OPERATING, SEE INSTRUCTION 475A667AAP001

Outline: 303B401AAP071

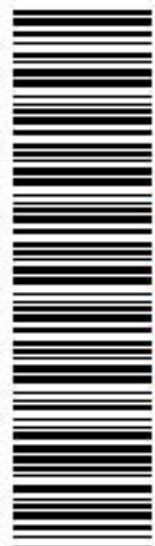
ALUMINUM CONDUCTOR

PRIMARY: 10 KV BIL

SECONDARY: 10 KV BIL

IN ACCORDANCE WITH NEC SECTION 450-9, ALLOW AT LEAST SIX INCHES

CLEARANCE FOR VENTILATION. CHECK ADDITIONAL NEC AND LOCAL CODES.



2M000000



3M000000

X3 - X2 - X1 - X0

- H3 - H2 - H1

X3 - X2 - X1 - X0

- H3 - H2 - H1