



Transformer



1M000000

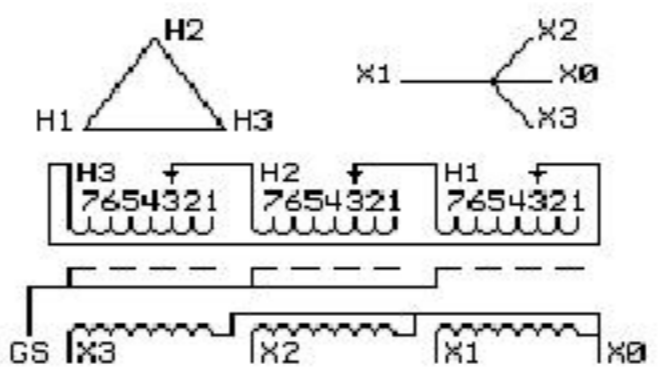
Catalog Number
9T64B3871G53

Type **QL**

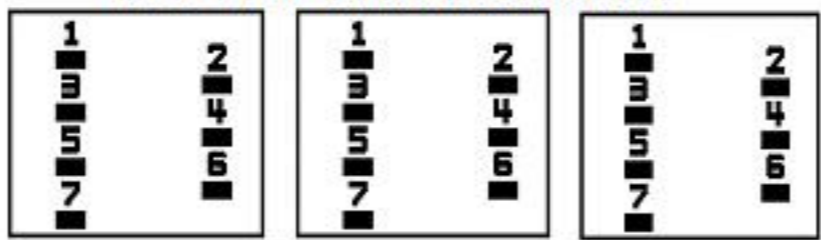
15.0 KVA 60 HZ 3 PH 5.8 % IMP

40 C AMB. 150 C RISE 220 C SYSTEM IS-19C

Note: Design is based on 15.00KVA & 150C Rise 5.8% Imp.



COIL TAP ARRANGEMENT



NSALEØ 15.000480C
+2,-4 2.50%)
2Ø8Y/12Ø

NET WGT
240 LB
108.9 Kg

Ø911
N N
N9T18Y4317G11T
TRANSFORMER N
ON-SIN K=Ø4HØ
Ø ASB5

57765
XV371
NOG
092215

INSPECTION
&
FINAL TEST
N539!

52Ø



LISTED 769G

Assembled in Mexico

9T64B3871G239T64B3871G23
15Ø922LM 3Ø3B4Ø1AAPØ71 YNNN 4Ø115
22ØIS-19CØL 3 6ØAL1ØØ15ØY15.ØØ 5.8 24
Ø 265 48Ø(+2,-4 2.5
ELECTROSTATIC GROUND SHIELD IN EACH PHASE

ENCLOSURE TYPE 2 (IP30). RAINPROOF TYPE 3R ENCLOSURE (IP32) WHEN PROVIDED SHIELD 9T18Y4317G11
SUITABLE FOR NONSINUSOIDAL CURRENT LOAD WITH K-FACTOR NOT TO EXCEED 4
BEFORE HANDLING, INSTALLING AND OPERATING, SEE INSTRUCTION 475A667AAPØØ1 Outline: 3Ø3B4Ø1AAPØ71
ALUMINUM CONDUCTOR PRIMARY: 10 KV BIL SECONDARY: 10 KV BIL

IN ACCORDANCE WITH NEC SECTION 450-9, ALLOW AT LEAST SIX INCHES
CLEARANCE FOR VENTILATION. CHECK ADDITIONAL NEC AND LOCAL CODES.

X3 - X2 - X1 - XØ
- H3 - H2 - H1

Note: Standard

XØ
- X1 -
- X2 -
- X3 -

H3 - H2 - H1

XØ
- X1 -
- X2 -
- X3 -

H3 - H2 - H1



2M000000



3M000000