



Transformer



1M000000

Catalog Number

Type QL

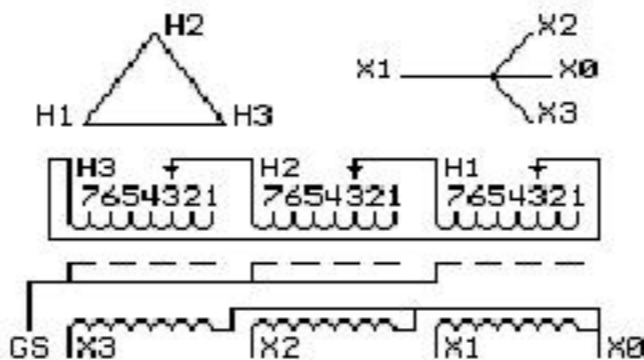
9Q3C045AABL04A2T00

9T64C9543G03

45.0 KVA 60 HZ 3 PH 3.1 % IMP

40 C AMB. 150 C RISE 220 C SYSTEM IS-19C

Note: Design is based on 75.00KVA & 150C Rise 5.2% Imp.



JUMPER CONNECTION	
TAP	VOLTS
1	503
2	492
3	480
4	469
5	454
6	443
7	432

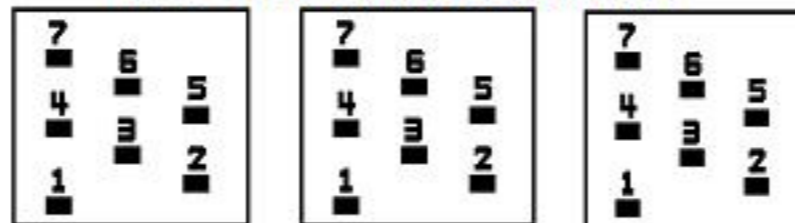
NET WGT
710 LB
322.1 Kg

56333
XV374
NOG
081115

INSPECTION
&
FINAL TEST
N533!

PRIMARY (H) 480 VOLTS (LINE-LINE)
 SECONDARY (X) 400 VOLTS (LINE-LINE)
 231 VOLTS (LINE-NEUTRAL)

COIL TAP ARRANGEMENT



LISTED 769G

ELECTROSTATIC GROUND SHIELD IN EACH PHASE

ENCLOSURE TYPE 2 (IP30). RAINPROOF TYPE 3R ENCLOSURE (IP32) WHEN PROVIDED SHIELD 9T18Y4317G06

SUITABLE FOR NONSINUSOIDAL CURRENT LOAD WITH K-FACTOR NOT TO EXCEED 4

BEFORE HANDLING, INSTALLING AND OPERATING, SEE INSTRUCTION 475A667AAP001

Outline: 303B401AAP074

COPPER CONDUCTOR

PRIMARY: 10 KV BIL

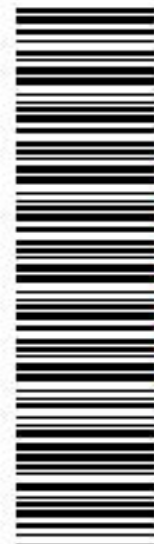
SECONDARY: 10 KV BIL

IN ACCORDANCE WITH NEC SECTION 450-9, ALLOW AT LEAST SIX INCHES CLEARANCE FOR VENTILATION. CHECK ADDITIONAL NEC AND LOCAL CODES.

Assembled in Mexico

X3 - X2 - X1 - -
 - H3 - H2 - H1

Note: X0 Terminal at the bottom



2M000000



3M000000

X1 - -
 X2 - -
 H3 - H2 - H1
 X3 - X2 - X1 -
 H3 - H2 - H1
 X0