



Transformer



1M000000

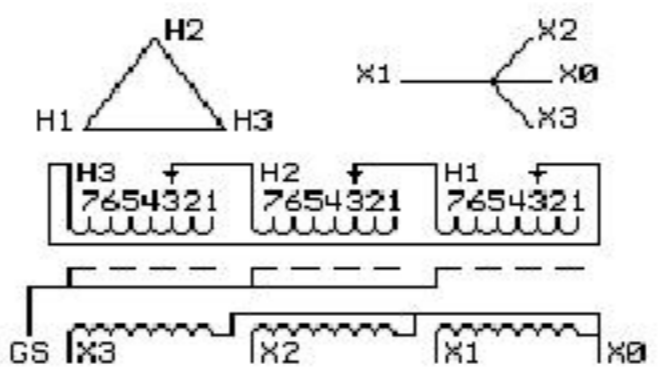
Catalog Number **Type** QL

9Q3C045AABL04T2T00
9T64C9543G04

45.0 KVA 60 HZ 3 PH 3.1 % IMP

50 C AMB. 140 C RISE 220 C SYSTEM IS-19C

Note: Design is based on 75.00KVA & 150C Rise 5.2% Imp.



JUMPER CONNECTION	
TAP	VOLTS
1	503
2	492
3	480
4	469
5	454
6	443
7	432

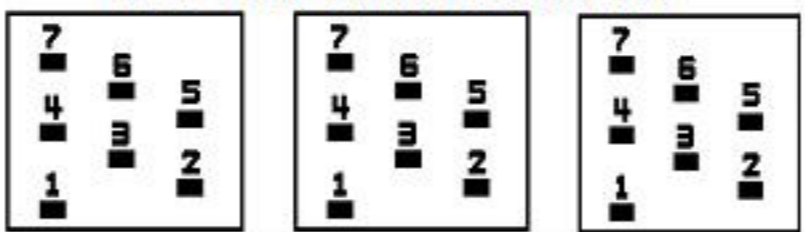
NET WGT
710 LB
322.1 Kg

56333
XV374
NOG
081115

INSPECTION
&
FINAL TEST
N533!

PRIMARY (H) 480 VOLTS (LINE-LINE)
 SECONDARY (X) 400 VOLTS (LINE-LINE)
 231 VOLTS (LINE-NEUTRAL)

COIL TAP ARRANGEMENT



ELECTROSTATIC GROUND SHIELD IN EACH PHASE

ENCLOSURE TYPE 2 (IP30). RAINPROOF TYPE 3R ENCLOSURE (IP32) WHEN PROVIDED SHIELD 9T18Y4317G06
 SUITABLE FOR NONSINUSOIDAL CURRENT LOAD WITH K-FACTOR NOT TO EXCEED 4
 BEFORE HANDLING, INSTALLING AND OPERATING, SEE INSTRUCTION 475A667AAP001 Outline: 303B401AAP074
 COPPER CONDUCTOR PRIMARY: 10 KV BIL SECONDARY: 10 KV BIL

Assembled in Mexico

X3 - X2 - X1 - -
 - H3 - H2 - H1

Note: X0 Terminal at the bottom

X1 - -
 - H1
 X2 - -
 - H2
 X3 - -
 - H3
 X1 - -
 - H1
 X2 - -
 - H2
 X3 - -
 - H3
 X0

