



Transformer



1M000000

Catalog Number

Type QL

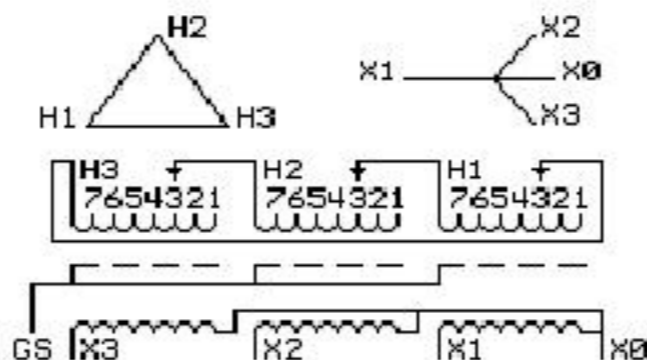
9Q3C045AGAA04B2T00

9T64C9893G13

45.0 KVA 60 HZ 3 PH 3.5 % IMP

40 C AMB. 115 C RISE 220 C SYSTEM IS-19C

Note: Design is based on 75.00KVA & 150C Rise 6% Imp.



JUMPER CONNECTION	
TAP	VOLTS
1	630
2	615
3	600
4	586
5	571
6	557
7	539

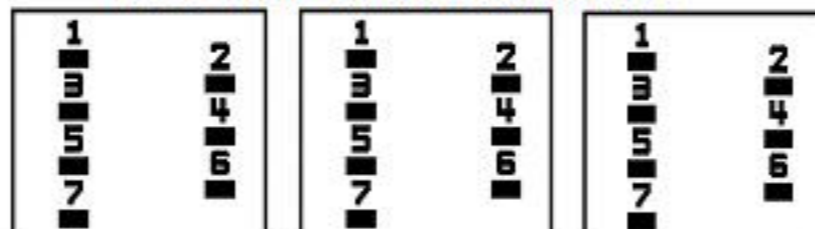
NET WGT
710 LB
322.1 Kg

43074
XV374
NOG
081115

INSPECTION
&
FINAL TEST
N533!

PRIMARY (H) 600 VOLTS (LINE-LINE)
 SECONDARY (X) 208 VOLTS (LINE-LINE)
 120 VOLTS (LINE-NEUTRAL)

COIL TAP ARRANGEMENT



LISTED 769G

ELECTROSTATIC GROUND SHIELD IN EACH PHASE

ENCLOSURE TYPE 2 (IP30). RAINPROOF TYPE 3R ENCLOSURE (IP32) WHEN PROVIDED SHIELD 9T18Y4317G06

SUITABLE FOR NONSINUSOIDAL CURRENT LOAD WITH K-FACTOR NOT TO EXCEED 4

BEFORE HANDLING, INSTALLING AND OPERATING, SEE INSTRUCTION 475A667AAP001

Outline: 303B401AAP074

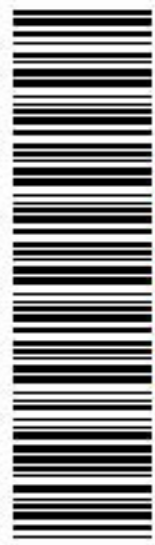
COPPER CONDUCTOR PRIMARY: 10 KV BIL SECONDARY: 10 KV BIL

IN ACCORDANCE WITH NEC SECTION 450-9, ALLOW AT LEAST SIX INCHES CLEARANCE FOR VENTILATION. CHECK ADDITIONAL NEC AND LOCAL CODES.

Assembled in Mexico

X3 - X2 - X1 - -
 - H3 - H2 - H1

Note: X0 Terminal at the bottom



2M000000



3M000000

X1 - -
 X2 - -
 X3 - -
 H1 - -
 H2 - -
 H3 - -
 X0 - -
 X1 - -
 X2 - -
 X3 - -
 H1 - -
 H2 - -
 H3 - -