



Transformer

NEMA
Premium



1M000000

Catalog Number TYPE QL

9Q3A045AAAD04B2P00

45.0 KVA 60 HZ 3 PH 3.8 % IMP

40 C AMB. 115 C RISE 220 C SYSTEM IS-19C

Note: Design is based on 75.00KVA & 150C Rise 6.3% Imp.

PRIMARY (H) 480 VOLTS (LINE-LINE)
SECONDARY (X) 480 VOLTS (LINE-LINE)
277 VOLTS (LINE-NEUTRAL)

ELECTROSTATIC GROUND SHIELD IN EACH PHASE

ENCLOSURE TYPE 2 (IP30). RAINPROOF TYPE 3R ENCLOSURE (IP32) WHEN PROVIDED SHIELD 9T18Y4317G06

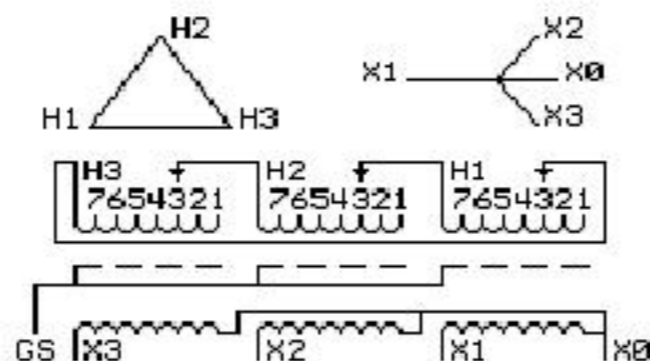
SUITABLE FOR NONSINUSOIDAL CURRENT LOAD WITH K-FACTOR NOT TO EXCEED 4

BEFORE HANDLING, INSTALLING AND OPERATING, SEE INSTRUCTION 475A667AAP001

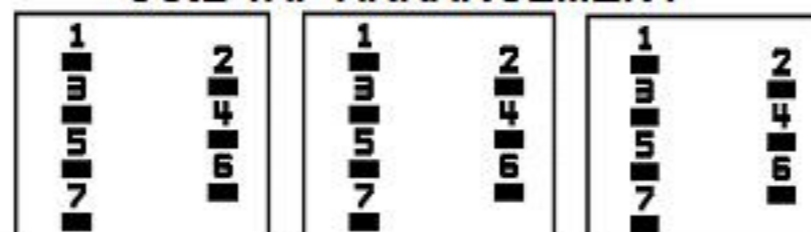
Outline: 303B4-21AAP074

ALUMINUM CONDUCTOR PRIMARY: 10 KV BIL SECONDARY: 10 KV BIL

IN ACCORDANCE WITH NEC SECTION 450-9, ALLOW AT LEAST SIX INCHES
CLEARANCE FOR VENTILATION. CHECK ADDITIONAL NEC AND LOCAL CODES.



COIL TAP ARRANGEMENT



JUMPER CONNECTION TAP	VOLTS
1	504
2	493
3	480
4	468
5	457
6	443
7	432

NET WGT
600 LB
272.2 Kg

55549
S34AC

NOG

090115

INSPECTION
&
FINAL TEST
N536!



LISTED 769G

Assembled in Mexico

X3 - X2 - X1 - -
- H3 - H2 - H1

Note: X0 Terminal at the bottom

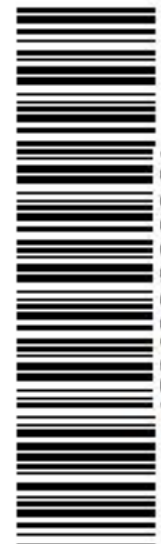
X3 - X2 - X1 -

- H3 - H2 - H1

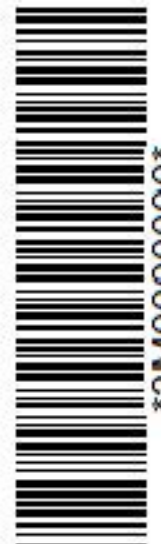
X3 - X2 - X1 -

- H3 - H2 - H1

X0



2M000000



3M000000