



# Transformer



\*1M000000\*

X0

X0

Catalog Number

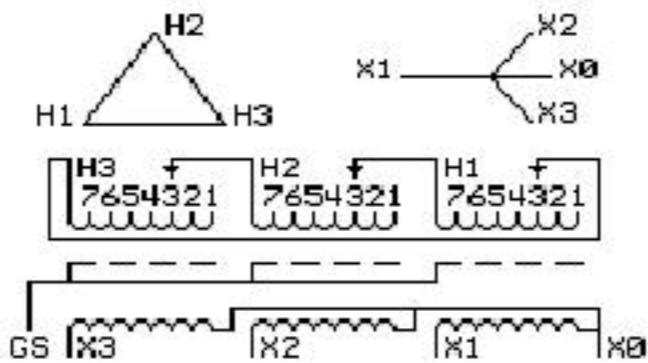
TYPE QL

## 9T64W3870G13

11.0 KVA 60 HZ 3 PH 4 % IMP

40 C AMB. 115 C RISE 220 C SYSTEM IS-19C

Note: Design is based on 15.00KVA & 150C Rise 5.8% Imp.



EMENS2 15.000480C  
+2,-4 2.50% )  
208Y/120

0911  
NN3F3Y015K4FLN3TP1  
N9T18M4317G11T  
TRANSFORMER N  
ON-SIN K=04H0  
0 ANC4

NET WGT

240 LB

108.9 Kg

9T40G00C7

57785

XV371

NOG

092215

INSPECTION

&

FINAL TEST

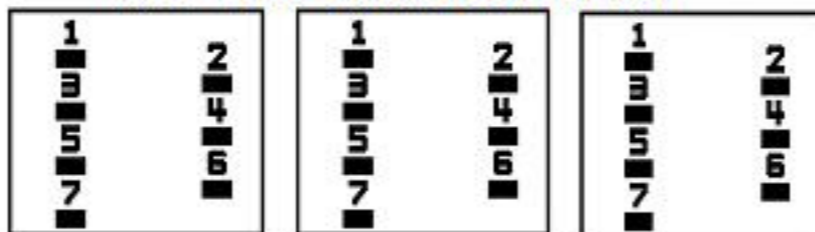
N539!

520

9T64M3871G233F3Y015K4FLN3TP1 64387123  
150922LM 303B401AAP071 YNNN 40115  
220IS-19COL 3 60AL100150Y15.00 5.8 24  
0 480(+2,-4 2.5

ELECTROSTATIC GROUND SHIELD IN EACH PHASE

### COIL TAP ARRANGEMENT



Assembled in Mexico

ENCLOSURE TYPE 2 (IP30). RAINPROOF TYPE 3R ENCLOSURE (IP32) WHEN PROVIDED SHIELD 9T18W4317G11

SUITABLE FOR NONSINUSOIDAL CURRENT LOAD WITH K-FACTOR NOT TO EXCEED 4

BEFORE HANDLING, INSTALLING AND OPERATING, SEE INSTRUCTION 475A667AAP001

Outline: 303B401MWP071

ALUMINUM CONDUCTOR

PRIMARY: 10 KV BIL

SECONDARY: 10 KV BIL

IN ACCORDANCE WITH NEC SECTION 450-9, ALLOW AT LEAST SIX INCHES

CLEARANCE FOR VENTILATION. CHECK ADDITIONAL NEC AND LOCAL CODES.

X3 - X2 - X1 - X0

- H3 - H2 - H1

Note: Standard

-

X1

-

X2

-

X3

-

X0

-

H1

-

H2

-

H3

-

H1

-

X0

-

X1

-

X2

-

X3

-

X0

-

H1

-

H2

-

H3

-

H1

-

X0

\*2M000000\*

\*3M000000\*