



# Transformer



\*1M000000\*

X0

X0

Catalog Number

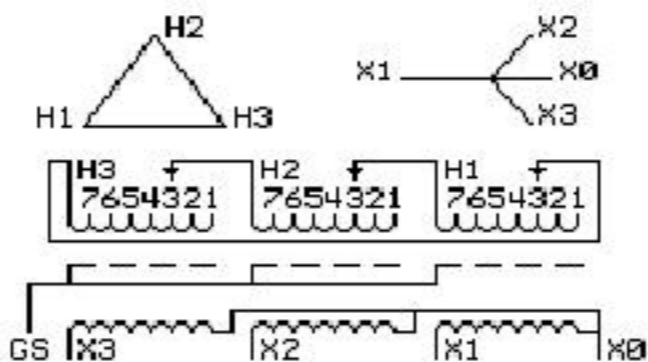
TYPE QL

## 9T64W9141G03

15.0 KVA 60 HZ 3 PH 5.9 % IMP

40 C AMB. 150 C RISE 220 C SYSTEM IS-19C

Note: Design is based on 15.00KVA & 150C Rise 5.9% Imp.



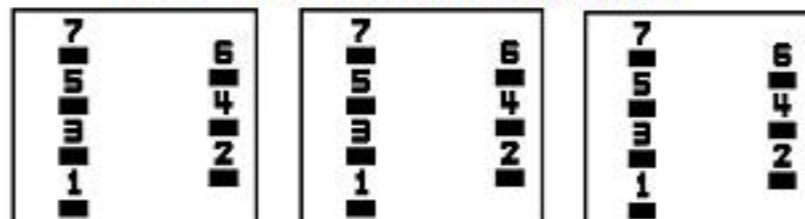
JUMPER CONNECTION TAP	VOLTS
1	505
2	492
3	480
4	467
5	456
6	445
7	432

NET WGT  
250 LB  
113.4 Kg  
9T40G00C7  
32271  
XV371  
NOG  
071615

INSPECTION & FINAL TEST N529!

PRIMARY (H) 480 VOLTS (LINE-LINE)  
SECONDARY (X) 208 VOLTS (LINE-LINE)  
120 VOLTS (LINE-NEUTRAL)

### COIL TAP ARRANGEMENT



ELECTROSTATIC GROUND SHIELD IN EACH PHASE

ENCLOSURE TYPE 2 (IP30). RAINPROOF TYPE 3R ENCLOSURE (IP32) WHEN PROVIDED SHIELD 9T18W4317G11

SUITABLE FOR NONSINUSOIDAL CURRENT LOAD WITH K-FACTOR NOT TO EXCEED 4

BEFORE HANDLING, INSTALLING AND OPERATING, SEE INSTRUCTION 475A667AAP001

Outline: 303B401MWP071

COPPER CONDUCTOR PRIMARY: 10 KV BIL SECONDARY: 10 KV BIL

Assembled in Mexico

X3 - X2 - X1 - X0  
- H3 - H2 - H1

IN ACCORDANCE WITH NEC SECTION 450-9, ALLOW AT LEAST SIX INCHES CLEARANCE FOR VENTILATION. CHECK ADDITIONAL NEC AND LOCAL CODES.

Note: Standard



\*2M000000\*



\*3M000000\*