



Transformer

NEMA Premium



Catalog Number **9T73C9854G20** TYPE **QL**

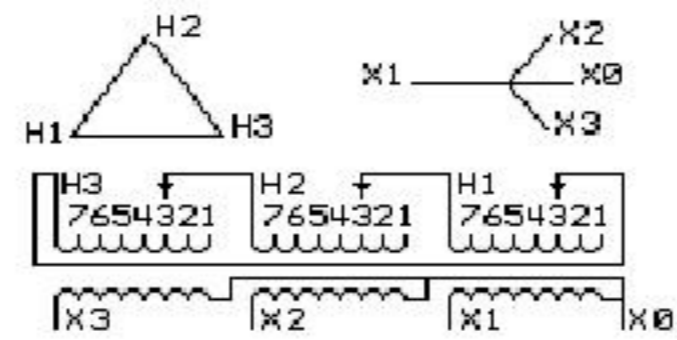
75.0 KVA 60 HZ 3 PH 5 % IMP

40 C AMB. 115 C RISE 220 C SYSTEM IS-19C

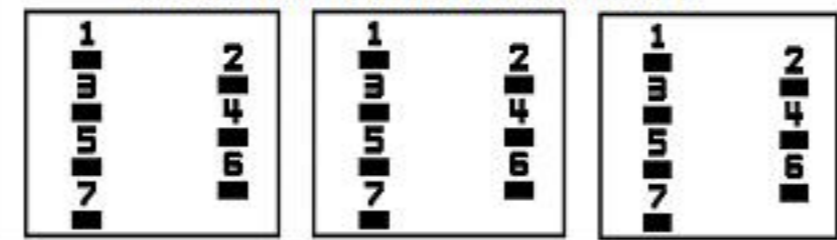
Note: Design is based on 75.00KVA & 115C Rise 5% Imp.

PRIMARY (H) 480 VOLTS (LINE-LINE)
 SECONDARY (X) 480 VOLTS (LINE-LINE)
 277 VOLTS (LINE-NEUTRAL)

Ultra Efficient



COIL TAP ARRANGEMENT



JUMPER CONNECTION TAP	VOLTS
1	506
2	491
3	480
4	468
5	457
6	446
7	431

NET WGT
685 LB
310.7 Kg

55938
S34AC
NOG
073015

INSPECTION & FINAL TEST N531!



ENCLOSURE TYPE 2 (IP30). RAINPROOF TYPE 3R ENCLOSURE (IP32) WHEN PROVIDED SHIELD 9T18Y4317G06

BEFORE HANDLING, INSTALLING AND OPERATING, SEE INSTRUCTION 475A667AAP001 Outline: 303B4-21AAP074
 COPPER CONDUCTOR PRIMARY: 10 KV BIL SECONDARY: 10 KV BIL

IN ACCORDANCE WITH NEC SECTION 450-9, ALLOW AT LEAST SIX INCHES CLEARANCE FOR VENTILATION. CHECK ADDITIONAL NEC AND LOCAL CODES.

Assembled in Mexico

X3 - X2 - X1 - -
 - H3 - H2 - H1

Note: X0 Terminal at the bottom

X1 - -
 X2 - -
 H3 - H2 - H1
 X3 - X2 - X1 -
 H3 - H2 - H1
 X0

