



Transformer

NEMA
Premium



1M0000000

Catalog Number
9T73C9871G20

TYPE **QL**

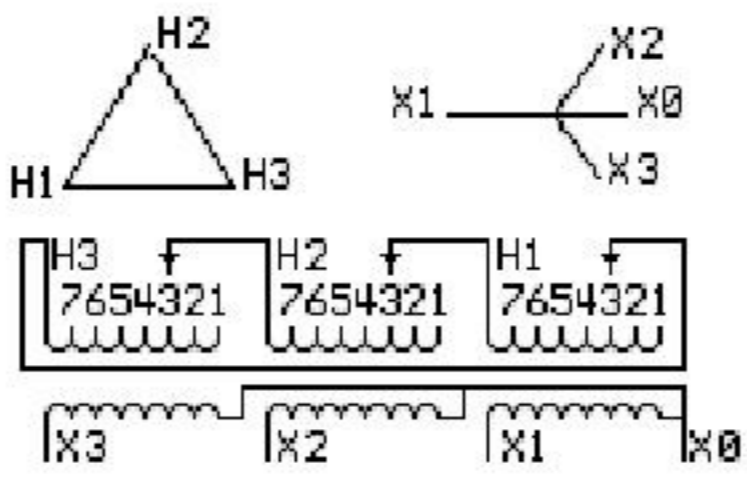
15.0 KVA 60 HZ 3 PH 4.4 % IMP

40 C AMB. 115 C RISE 220 C SYSTEM IS-19C

Note: Design is based on 15.00KVA & 150C Rise 5.7% Imp.

PRIMARY (H) 480 VOLTS (LINE-LINE)
SECONDARY (X) 208 VOLTS (LINE-LINE)
120 VOLTS (LINE-NEUTRAL)

Ultra Efficient



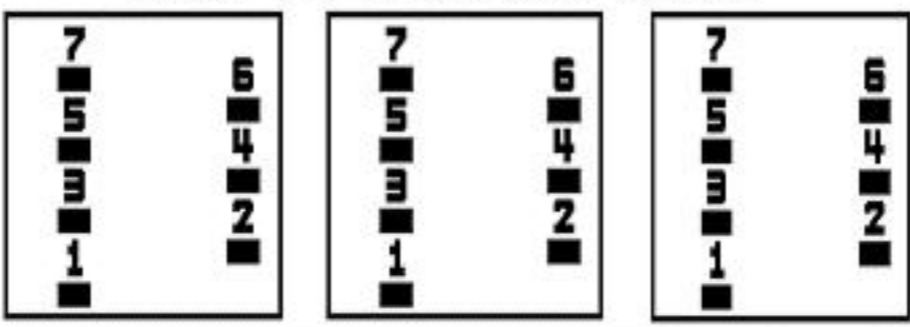
JUMPER CONNECTION	
TAP	VOLTS
1	504
2	492
3	480
4	468
5	456
6	445
7	433

NET WGT
235 LB
106.6 Kg

45675
S31AC
NOG
112515

INSPECTION
&
FINAL TEST
N548!

COIL TAP ARRANGEMENT



LISTED 769G

ENCLOSURE TYPE 2 (IP30). RAINPROOF TYPE 3R ENCLOSURE (IP32) WHEN PROVIDED SHIELD 9T18Y4317G11

Assembled in Mexico

BEFORE HANDLING, INSTALLING AND OPERATING, SEE INSTRUCTION 475A667AAP001 Outline: 303B421AAP071
COPPER CONDUCTOR PRIMARY: 10 KV BIL SECONDARY: 10 KV BIL

X3 - X2 - X1 - X0
- H3 - H2 - H1

IN ACCORDANCE WITH NEC SECTION 450-9, ALLOW AT LEAST SIX INCHES CLEARANCE FOR VENTILATION. CHECK ADDITIONAL NEC AND LOCAL CODES.

Note: Standard

X0
-
X1 -
-
X2 -
-
X3 -



2M0000000

- H3 -
- H2 -
- H1

X0
-
X1 -
-
X2 -
-
X3 -



3M0000000

- H3 -
- H2 -
- H1