



Transformer

NEMA
Premium



1M000000

Catalog Number TYPE QL

9Q3C015AAAA01A2P30

15.0 KVA 60 HZ 3 PH 5.6 % IMP

40 C AMB. 150 C RISE 220 C SYSTEM IS-19C

Note: Design is based on 15.00KVA & 150C Rise 5.6% Imp.

9T64U98766539T64U9876653

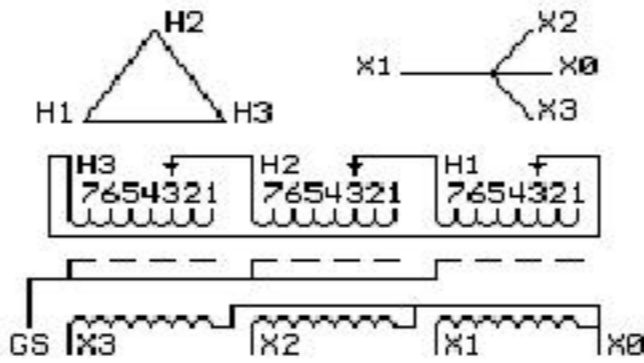
150911MA3 303B918AAP077 YNNN 40150

220IS-19COL 3 60CU100150Y150.0 3.9 17

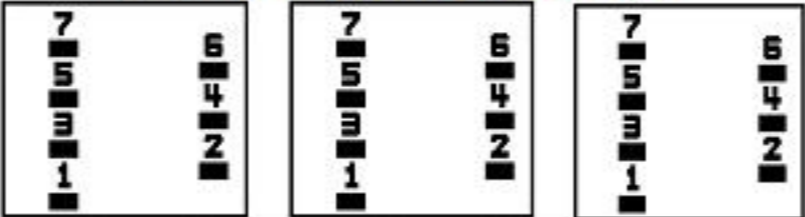
10 480(+2,-4 2.3

ELECTROSTATIC GROUND SHIELD IN EACH PHASE

Ultra Efficient



COIL TAP ARRANGEMENT



NSALE0 150.000480C
+2,-4 2.30%)
208Y/120

0911

NN
N9T18Y4322G88T
TRANSFORMER N
ON-SIN K=04H0
0

NET WGT
235 LB
106.6 Kg

45676
S31AC
NOG
091115

INSPECTION
&
FINAL TEST
N537!

520



LISTED 769G

Assembled in Mexico

ENCLOSURE TYPE 2 (IP30). RAINPROOF TYPE 3R ENCLOSURE (IP32) WHEN PROVIDED SHIELD 9T18Y4317G11

BEFORE HANDLING, INSTALLING AND OPERATING, SEE INSTRUCTION 475A667AAP001
COPPER CONDUCTOR PRIMARY: 10 KV BIL SECONDARY: 10 KV BIL

Outline: 303B4-21AAP071

IN ACCORDANCE WITH NEC SECTION 450-9, ALLOW AT LEAST SIX INCHES
CLEARANCE FOR VENTILATION. CHECK ADDITIONAL NEC AND LOCAL CODES.

X3 - X2 - X1 - X0

- H3 - H2 - H1

Note: Standard

X0

X1 -

X2 -

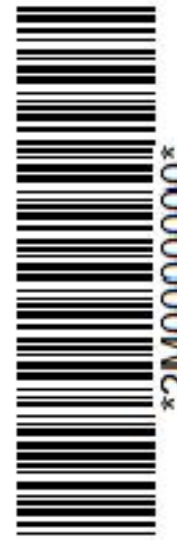
X3 -

H3 - H2 - H1

X3 - X2 - X1 -

H3 - H2 - H1

X0



2M000000



3M000000