



Transformer

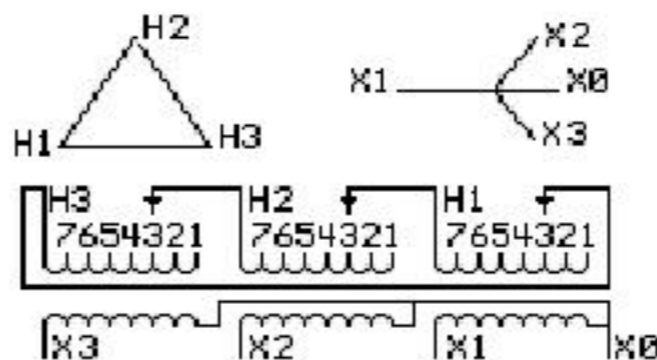
Catalog Number 9T73C9876G90

9Q3C150AAAA00C2P30

150.0 KVA 60 HZ 3 PH 3.5 % IMP

40 C AMB. 80 C RISE 220 C SYSTEM IS-19C Type: QL

Note: Design is based on 225.0KVA & 150C Rise 5.4% Imp.

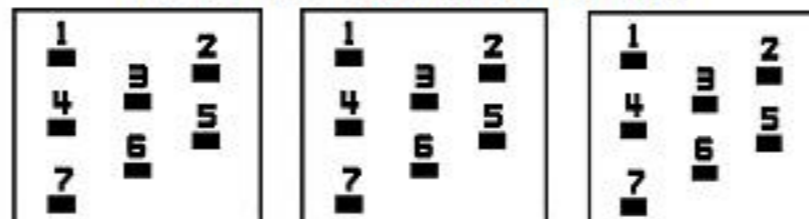


JUMPER CONNECTION

TAP	VOLTS
1	506
2	493
3	480
4	468
5	455
6	442
7	430

PRIMARY (H) 480 VOLTS (LINE-LINE)
 SECONDARY (X) 208 VOLTS (LINE-LINE)
 120 VOLTS (LINE-NEUTRAL)

COIL TAP ARRANGEMENT



NET WGT 1710 LB 775.7 Kg

082115 N534! S37AC
47033 NOG

ENCLOSURE TYPE 2 (IP30). RAINPROOF TYPE 3R ENCLOSURE (IP32) WHEN PROVIDED SHIELD 9T18Y4322G88

BEFORE HANDLING, INSTALLING AND OPERATING, SEE INSTRUCTION 475A667AAP001
COPPER CONDUCTOR PRIMARY: 10 KV BIL SECONDARY: 10 KV BIL

IN ACCORDANCE WITH NEC SECTION 450-9, ALLOW AT LEAST SIX INCHES CLEARANCE FOR VENTILATION. CHECK ADDITIONAL NEC AND LOCAL CODES.



LISTED 769G

Outline: 3038918AAP077
Assembled in Mexico

INSPECTION & FINAL TEST
N534!

