



Transformer



1M000000

Catalog Number

Type QL

9T83B3010

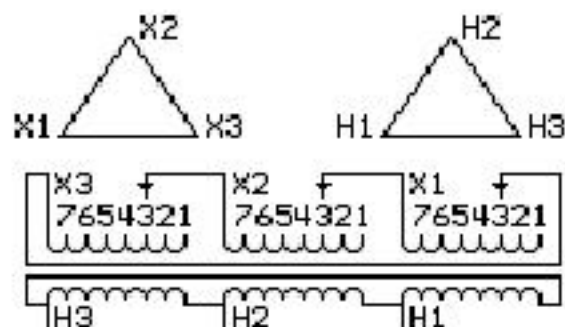
11.0 KVA 60 HZ 3 PH 3.4 % IMP

40 C AMB. 150 C RISE 220 C SYSTEM IS-19C

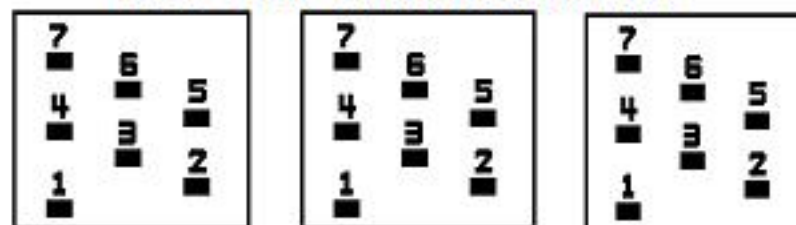
Note: Design is based on 15.00KVA & 150C Rise 5.5% Imp.

PRIMARY (X) 208 VOLTS (LINE-LINE)

SECONDARY (H) 240 VOLTS (LINE-LINE)



COIL TAP ARRANGEMENT



JUMPER CONNECTION	
TAP	VOLTS
1	219
2	213
3	208
4	203
5	197
6	192
7	188

NET WGT
240 LB
108.9 Kg

54363
XV371
NOG
071615

INSPECTION
&
FINAL TEST
N529!



LISTED 769G

Assembled in Mexico

ENCLOSURE TYPE 2 (IP30). RAINPROOF TYPE 3R ENCLOSURE (IP32) WHEN PROVIDED SHIELD 9T18Y4317G11

BEFORE HANDLING, INSTALLING AND OPERATING, SEE INSTRUCTION 475A667AAP001
ALUMINUM CONDUCTOR PRIMARY: 10 KV BIL SECONDARY: 10 KV BIL

Outline: 303B401AAP071

IN ACCORDANCE WITH NEC SECTION 450-9, ALLOW AT LEAST SIX INCHES
CLEARANCE FOR VENTILATION. CHECK ADDITIONAL NEC AND LOCAL CODES.

H3 - H2 - H1 - -
- X3 - X2 - X1

Note: Standard

H3 - H2 - H1 -
- X3 - X2 - X1



2M000000



3M000000