



Transformer



1M000000

Catalog Number

Type QL

9Q3A011AEAD00A2N00

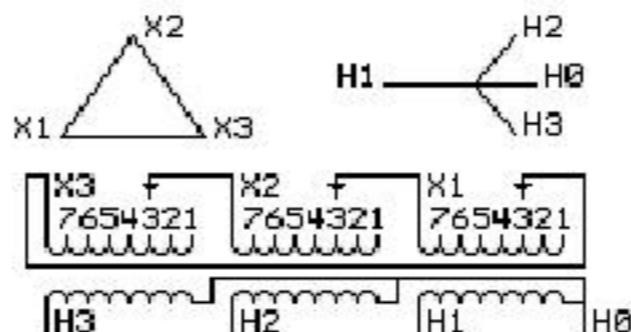
9T83B3050

11.0 KVA 60 HZ 3 PH 6.3 % IMP

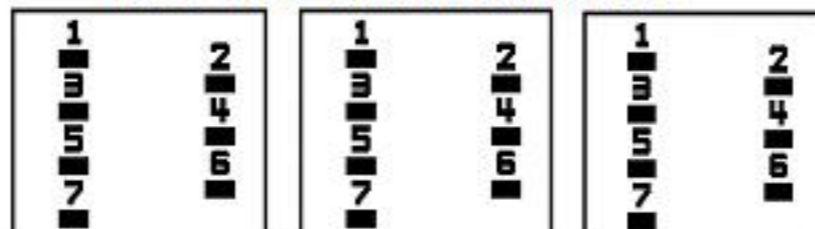
40 C AMB. 150 C RISE 220 C SYSTEM IS-19C

Note: Design is based on 15.00KVA & 150C Rise 6.3% Imp.

PRIMARY (X)	240 VOLTS (LINE-LINE)
SECONDARY (H)	480 VOLTS (LINE-LINE)
	277 VOLTS (LINE-NEUTRAL)



COIL TAP ARRANGEMENT



JUMPER CONNECTION	
TAP	VOLTS
1	253
2	246
3	240
4	234
5	227
6	223
7	216

NET WGT
240 LB
108.9 Kg

54372
XV371

NOG
071615

INSPECTION
&
FINAL TEST
N529!



LISTED 769G

Assembled in Mexico

ENCLOSURE TYPE 2 (IP30). RAINPROOF TYPE 3R ENCLOSURE (IP32) WHEN PROVIDED SHIELD 9T18Y4317G11

BEFORE HANDLING, INSTALLING AND OPERATING, SEE INSTRUCTION 475A667AAP001
ALUMINUM CONDUCTOR PRIMARY: 10 KV BIL SECONDARY: 10 KV BIL

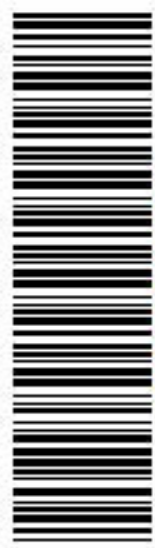
Outline: 303B401AAP071

IN ACCORDANCE WITH NEC SECTION 450-9, ALLOW AT LEAST SIX INCHES CLEARANCE FOR VENTILATION. CHECK ADDITIONAL NEC AND LOCAL CODES.

H3 - H2 - H1 - -
- X3 - X2 - X1

Note:

H1 - -
H2 - - X1
H3 - - X2
H3 - - X2 - X1
H3 - - X3 - X2 - X1
H3 - - X3 - X2 - X1
H3 - - X3 - X2 - X1
H3 - - X3 - X2 - X1



2M000000



3M000000

H0