



Transformer



1M0000000

Catalog Number Type QL

9Q3A112AEAD01A2T00

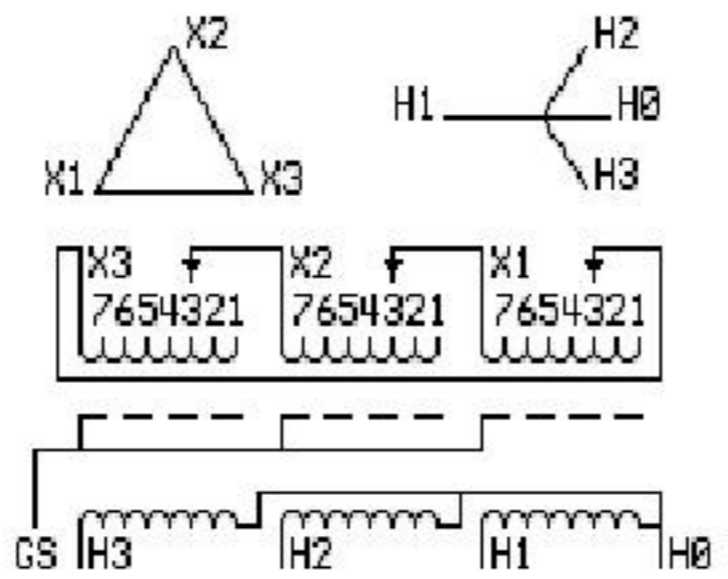
9T83B3055G03

112.5 KVA 60 HZ 3 PH 8.6 % IMP

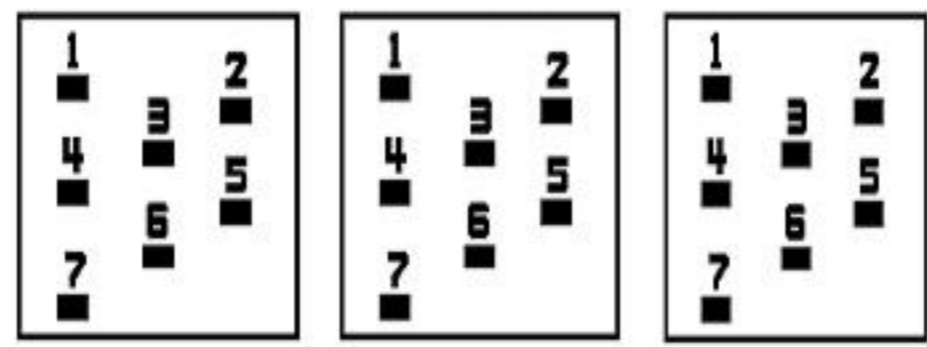
40 C AMB. 150 C RISE 220 C SYSTEM IS-19C

PRIMARY (X) 240 VOLTS (LINE-LINE)
SECONDARY (H) 480 VOLTS (LINE-LINE)
277 VOLTS (LINE-NEUTRAL)

ELECTROSTATIC GROUND SHIELD IN EACH PHASE



COIL TAP ARRANGEMENT



JUMPER CONNECTION	
TAP	VOLTS
1	253
2	244
3	240
4	234
5	229
6	220
7	215

NET WGT
765 LB
347.0 Kg

57933
XU375

NOG

100715

INSPECTION & FINAL TEST N541!



ENCLOSURE TYPE 2 (IP30). RAINPROOF TYPE 3R ENCLOSURE (IP32) WHEN PROVIDED SHIELD 9T18Y4317G06

Assembled in Mexico

BEFORE HANDLING, INSTALLING AND OPERATING, SEE INSTRUCTION 475A667AAP001 Outline: 303B401AAP075
ALUMINUM CONDUCTOR PRIMARY: 10 KV BIL SECONDARY: 10 KV BIL

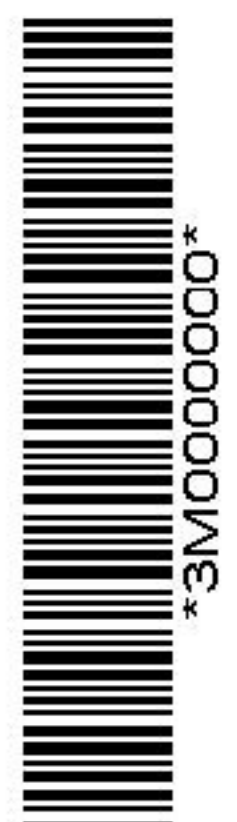
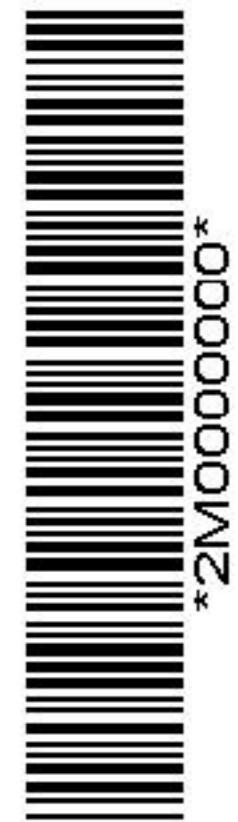
H3 - H2 - H1 - -
- X3 - X2 - X1

Note: H0 Terminal at the bottom

IN ACCORDANCE WITH NEC SECTION 450-9, ALLOW AT LEAST SIX INCHES CLEARANCE FOR VENTILATION. CHECK ADDITIONAL NEC AND LOCAL CODES.

H3 - H2 - H1 - -
- X3 - X2 - X1

H3 - H2 - H1 - -
- X3 - X2 - X1



H0