



Transformer



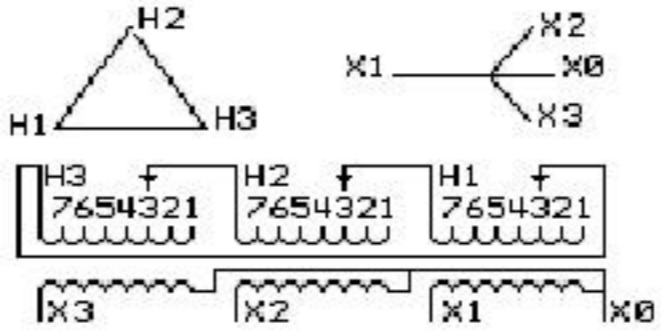
1M000000

Catalog Number **9Q3A011AMAA00A2N00** Type **QL**
9T83B3080

11.0 KVA 50/60 HZ 3 PH 4.5 % IMP

40 C AMB. 150 C RISE 220 C SYSTEM IS-19C

Note: Design is based on 15.00KVA & 150C Rise 6.2% Imp.



JUMPER CONNECTION	
TAP	VOLTS
1	419
2	410
3	400
4	390
5	381
6	371
7	362

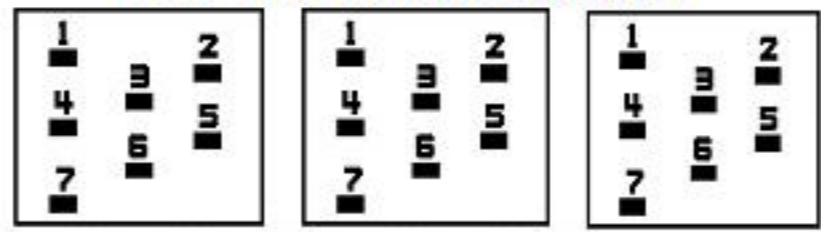
NET WGT
240 LB
108.9 Kg

54376
XV371
NOG
071615

INSPECTION
&
FINAL TEST
N529!

PRIMARY (H) 400 VOLTS (LINE-LINE)
 SECONDARY (X) 208 VOLTS (LINE-LINE)
 120 VOLTS (LINE-NEUTRAL)

COIL TAP ARRANGEMENT



ENCLOSURE TYPE 2 (IP30). RAINPROOF TYPE 3R ENCLOSURE (IP32) WHEN PROVIDED SHIELD 9T18Y4317G11

Assembled in Mexico

BEFORE HANDLING, INSTALLING AND OPERATING, SEE INSTRUCTION 475A667AAP001 Outline: 303B401AAP071
ALUMINUM CONDUCTOR PRIMARY: 10 KV BIL SECONDARY: 10 KV BIL

X3 - X2 - X1 - X0
 - H3 - H2 - H1

IN ACCORDANCE WITH NEC SECTION 450-9, ALLOW AT LEAST SIX INCHES CLEARANCE FOR VENTILATION. CHECK ADDITIONAL NEC AND LOCAL CODES.

Note: Standard

X0

X1 -

X2 -

X3 -

H3 - H2 - H1

X0

X1 -

X2 -

X3 -

H3 - H2 - H1

