



# Transformer

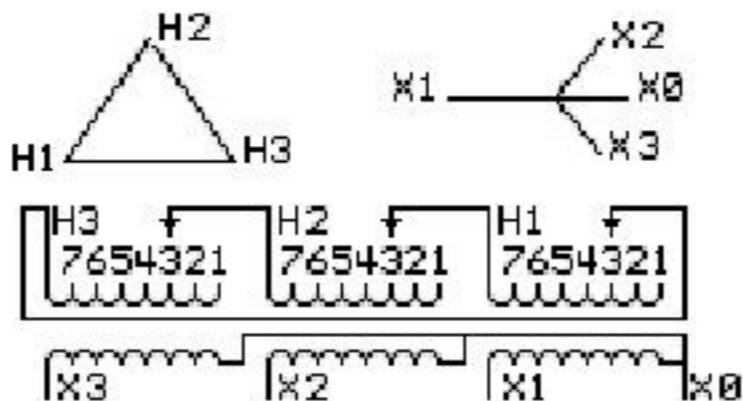
NEMA CLASS AA DRY TYPE TRANSFORMER

Catalog Number

**9T83B3086**

150.0 KVA    50/60 HZ    3 PH    5.9 % IMP

40 C AMB.    150 C RISE    220 C SYSTEM    IS-19C    Type: QL

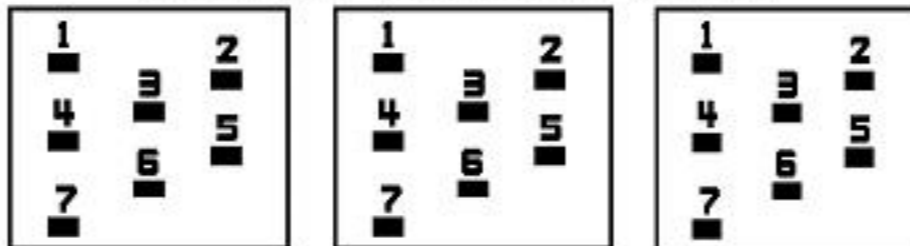


### JUMPER CONNECTION

TAP	VOLTS
1	420
2	410
3	400
4	390
5	380
6	370
7	360

PRIMARY (H)    400 VOLTS (LINE-LINE)  
 SECONDARY (X)    208 VOLTS (LINE-LINE)  
                           120 VOLTS (LINE-NEUTRAL)

### COIL TAP ARRANGEMENT



NET WGT 1590 LB    721.2 Kg

010716    N602!    XV377  
58966    NOG

ENCLOSURE TYPE 2 (IP30). RAINPROOF TYPE 3R ENCLOSURE (IP32) WHEN PROVIDED SHIELD 9T18Y4322G88

BEFORE HANDLING, INSTALLING AND OPERATING, SEE INSTRUCTION 475A667AAP001  
ALUMINUM CONDUCTOR    PRIMARY: 10 KV BIL    SECONDARY: 10 KV BIL

IN ACCORDANCE WITH NEC SECTION 450-9, ALLOW AT LEAST SIX INCHES CLEARANCE FOR VENTILATION. CHECK ADDITIONAL NEC AND LOCAL CODES.



Outline: 303B919AAP077  
Assembled in Mexico

INSPECTION & FINAL TEST  
N602!

