



Transformer



1M000000

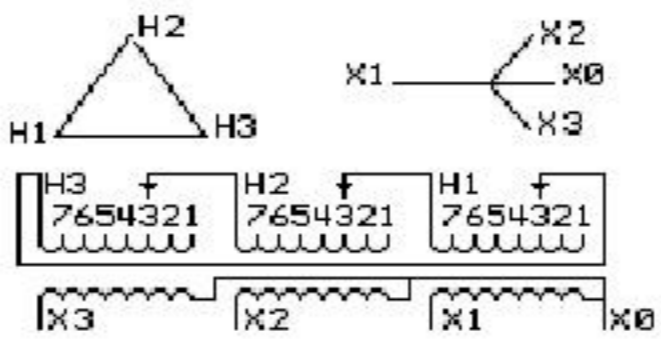
Catalog Number **9Q3A011AFAA00A2N00** Type **QL**

9T83B3090

11.0 KVA 60 HZ 3 PH 4.1 % IMP

40 C AMB. 150 C RISE 220 C SYSTEM IS-19C

Note: Design is based on 15.00KVA & 150C Rise 5.6% Imp.



JUMPER CONNECTION TAP	VOLTS
1	218
2	213
3	208
4	202
5	198
6	193
7	18E

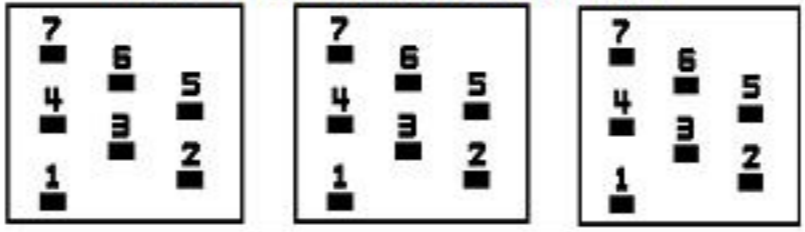
NET WGT
240 LB
108.9 Kg

54378
XV371
NOG
071615

INSPECTION & FINAL TEST N529!

PRIMARY (H) 208 VOLTS (LINE-LINE)
 SECONDARY (X) 208 VOLTS (LINE-LINE)
 120 VOLTS (LINE-NEUTRAL)

COIL TAP ARRANGEMENT



ENCLOSURE TYPE 2 (IP30). RAINPROOF TYPE 3R ENCLOSURE (IP32) WHEN PROVIDED SHIELD 9T18Y4317G11

BEFORE HANDLING, INSTALLING AND OPERATING, SEE INSTRUCTION 475A667AAP001 Outline: 303B401AAP071
ALUMINUM CONDUCTOR PRIMARY: 10 KV BIL SECONDARY: 10 KV BIL

IN ACCORDANCE WITH NEC SECTION 450-9, ALLOW AT LEAST SIX INCHES CLEARANCE FOR VENTILATION. CHECK ADDITIONAL NEC AND LOCAL CODES.

Assembled in Mexico

X3 - X2 - X1 - X0
 - H3 - H2 - H1

Note: Standard

X0
-
X1
-
X2
-
X3

- H3 - H2 - H1

X0
-
X1
-
X2
-
X3

- H3 - H2 - H1

