



Transformer



1M000000

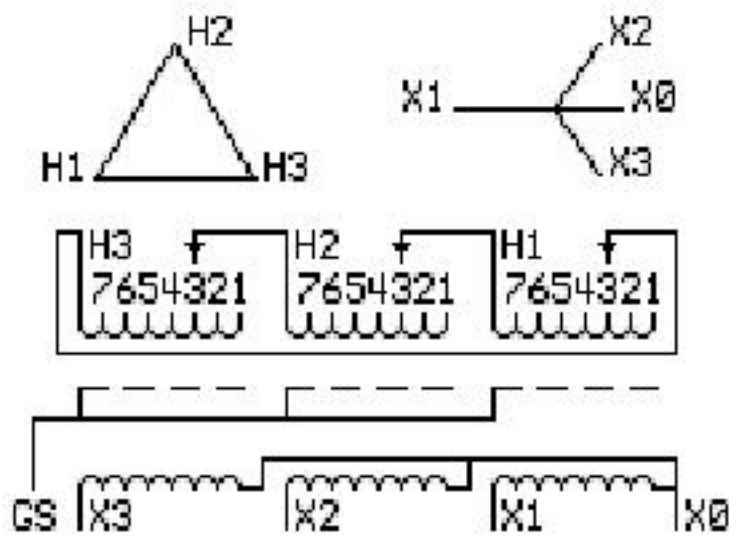
Catalog Number **Type QL**
9Q3A112AFAA01A2T30
9T83B3095G53

112.5 KVA 60 HZ 3 PH 6.9 % IMP

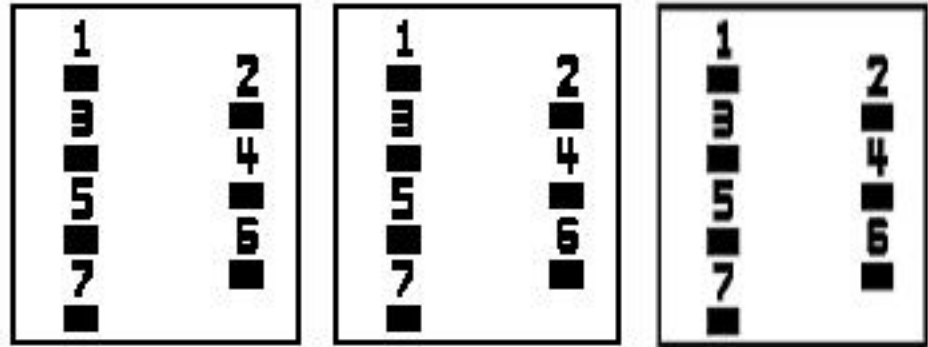
40 C AMB. 150 C RISE 220 C SYSTEM IS-19C
Note: Design is based on 112.5KVA & 150C Rise 6.9% Imp.

PRIMARY (H) 208 VOLTS (LINE-LINE)
 SECONDARY (X) 208 VOLTS (LINE-LINE)
 120 VOLTS (LINE-NEUTRAL)

ELECTROSTATIC GROUND SHIELD IN EACH PHASE



COIL TAP ARRANGEMENT



JUMPER CONNECTION	
TAP	VOLTS
1	217
2	212
3	208
4	203
5	199
6	194
7	189

NET WGT
 765 LB
 347.0 Kg

55031
 XU375
 NOG
 092415

INSPECTION
 &
 FINAL TEST
 N539!



ENCLOSURE TYPE 2 (IP30). RAINPROOF TYPE 3R ENCLOSURE (IP32) WHEN PROVIDED SHIELD 9T18Y4317G06

Assembled in Mexico

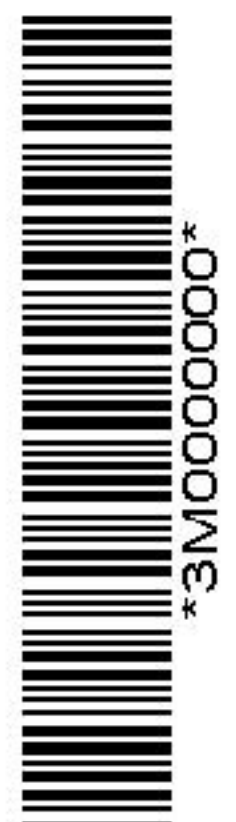
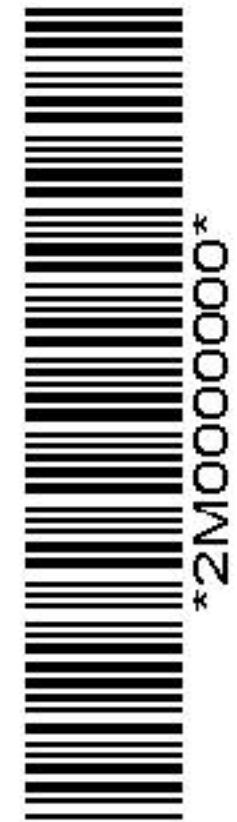
BEFORE HANDLING, INSTALLING AND OPERATING, SEE INSTRUCTION 475A667AAP001 Outline: 303B401AAP075
 ALUMINUM CONDUCTOR PRIMARY: 10 KV BIL SECONDARY: 10 KV BIL

X3 - X2 - X1 - -
 - H3 - H2 - H1

IN ACCORDANCE WITH NEC SECTION 450-9, ALLOW AT LEAST SIX INCHES CLEARANCE FOR VENTILATION. CHECK ADDITIONAL NEC AND LOCAL CODES.

Note: X0 Terminal at the bottom

X1 - - H1
 X2 - - H2
 X3 - - H3
 X1 - - H1
 X2 - - H2
 X3 - - H3



X0