



# Transformer



\*1M000000\*

X0

X0

Catalog Number

Type QL

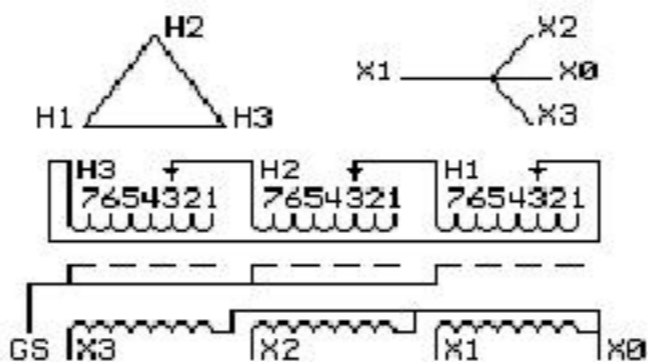
9Q3A011AAAA01A2N50

9T83B3140G03

11.0 KVA 60 HZ 3 PH 3.7 % IMP

40 C AMB. 150 C RISE 220 C SYSTEM IS-19C

Note: Design is based on 15.00KVA & 150C Rise 5.8% Imp.



DWEST2 15.000480  
+2,-4 2.50%

208Y/120

0911

NN9T64W3871623

N9T18W4317611T

TRANSFORMER N

ON-SIN K=04H0

0

NET WGT

240 LB

108.9 Kg

57765

XV371

NOG

092215

INSPECTION

&

FINAL TEST

N539!

520

X1 -

X2 -

X3 -

H3 - H2 - H1

X1 - X2 - X3

H3 - H2 - H1

9T64W38716239T64W3871623

64387123

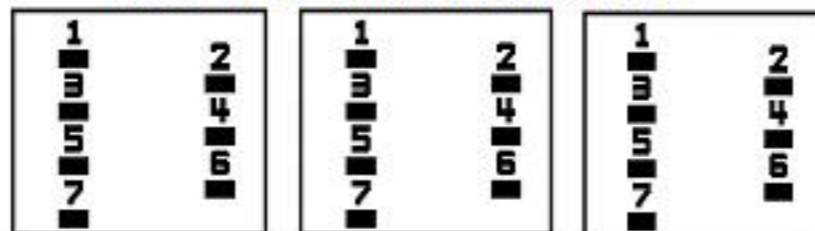
150922JWP 303B401MWP071 YNNN 40115

220IS-19COL 3 60AL100150Y15.00 5.8 24

0 480(+2,-4 2.5

ELECTROSTATIC GROUND SHIELD IN EACH PHASE

### COIL TAP ARRANGEMENT



LISTED 769G

Assembled in Mexico

ENCLOSURE TYPE 2 (IP30). RAINPROOF TYPE 3R ENCLOSURE (IP32) WHEN PROVIDED SHIELD 9T18Y4317G11

BEFORE HANDLING, INSTALLING AND OPERATING, SEE INSTRUCTION 475A667AAP001

Outline: 303B401AAP071

ALUMINUM CONDUCTOR

PRIMARY: 10 KV BIL

SECONDARY: 10 KV BIL

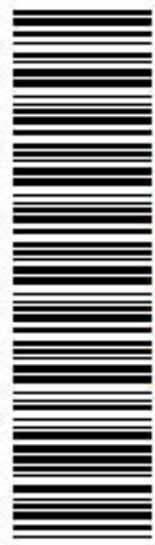
IN ACCORDANCE WITH NEC SECTION 450-9, ALLOW AT LEAST SIX INCHES

CLEARANCE FOR VENTILATION. CHECK ADDITIONAL NEC AND LOCAL CODES.

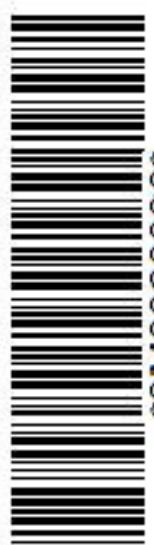
X3 - X2 - X1 - X0

- H3 - H2 - H1

Note: Standard



\*2M000000\*



\*3M000000\*