



Transformer



1M000000

Catalog Number

Type QL

9Q3A011AFBJ00A2N00

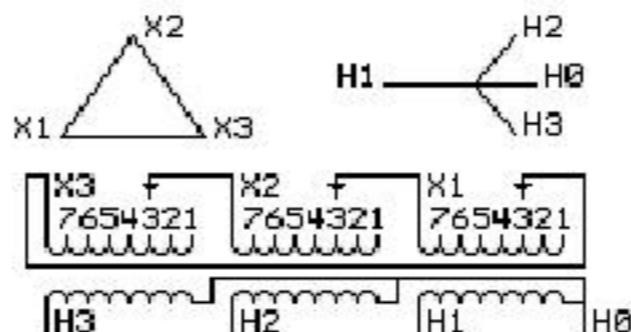
9T83B3320

11.0 KVA 60 HZ 3 PH 4.4 % IMP

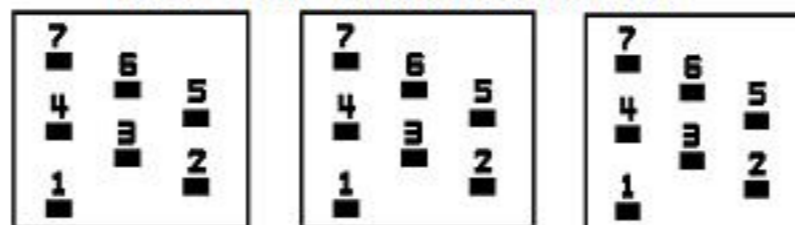
40 C AMB. 150 C RISE 220 C SYSTEM IS-19C

Note: Design is based on 15.00KVA & 150C Rise 6% Imp.

PRIMARY (X) 208 VOLTS (LINE-LINE)
 SECONDARY (H) 380 VOLTS (LINE-LINE)
 219 VOLTS (LINE-NEUTRAL)



COIL TAP ARRANGEMENT



| JUMPER CONNECTION | |
|-------------------|-------|
| TAP | VOLTS |
| 1 | 219 |
| 2 | 213 |
| 3 | 208 |
| 4 | 203 |
| 5 | 197 |
| 6 | 192 |
| 7 | 188 |

NET WGT
240 LB
108.9 Kg

54394
XV371

NOG
071615

INSPECTION
&
FINAL TEST
N529!



LISTED 769G

Assembled in Mexico

ENCLOSURE TYPE 2 (IP30). RAINPROOF TYPE 3R ENCLOSURE (IP32) WHEN PROVIDED SHIELD 9T18Y4317G11

BEFORE HANDLING, INSTALLING AND OPERATING, SEE INSTRUCTION 475A667AAP001
ALUMINUM CONDUCTOR PRIMARY: 10 KV BIL SECONDARY: 10 KV BIL

Outline: 303B401AAP071

IN ACCORDANCE WITH NEC SECTION 450-9, ALLOW AT LEAST SIX INCHES CLEARANCE FOR VENTILATION. CHECK ADDITIONAL NEC AND LOCAL CODES.

H3 - H2 - H1 - -
 - X3 - X2 - X1

Note:

H3 - H2 - H1 -
 - X3 - X2 - X1
 H3 - H2 - H1 -
 - X3 - X2 - X1

H0



2M000000



3M000000