



Transformer

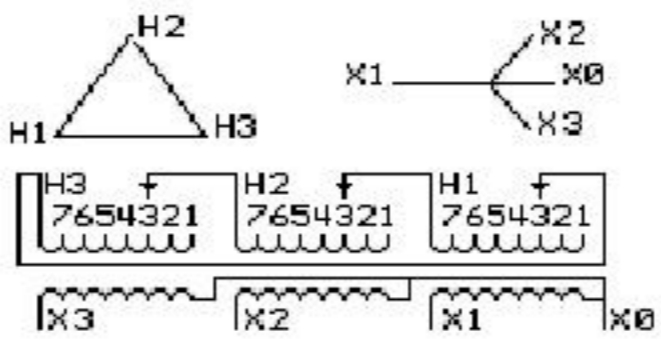


1M000000

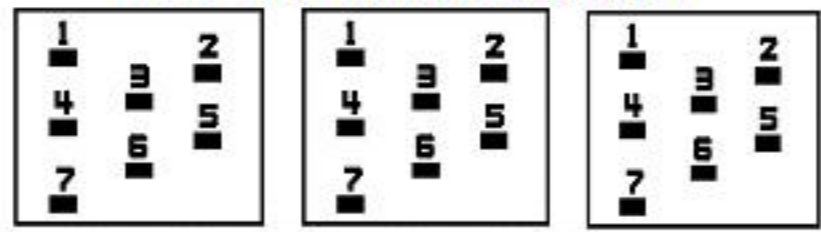
Catalog Number **9T83B3352** Type **QL**

30.0 KVA 60 HZ 3 PH 6.6 % IMP

40 C AMB. 150 C RISE 220 C SYSTEM IS-19C



COIL TAP ARRANGEMENT



NSALE0 30.000480
+2,-4 2.50%
208Y/120

NN
N9T18Y4317G05T
TRANSFORMER E
ENERGY-NOG H0
0

NET WGT
334 LB
151.5 Kg

57819
XV372
NOG
092215

INSPECTION
&
FINAL TEST
N539!

320



LISTED 769G

Assembled in Mexico

ENCLOSURE TYPE 2 (IP30). RAINPROOF TYPE 3R ENCLOSURE (IP32) WHEN PROVIDED SHIELD 9T18Y4317G05

BEFORE HANDLING, INSTALLING AND OPERATING, SEE INSTRUCTION 475A667AAP001 Outline: 303B401AAP072
ALUMINUM CONDUCTOR PRIMARY: 10 KV BIL SECONDARY: 10 KV BIL

IN ACCORDANCE WITH NEC SECTION 450-9, ALLOW AT LEAST SIX INCHES CLEARANCE FOR VENTILATION. CHECK ADDITIONAL NEC AND LOCAL CODES.

X3 - X2 - X1 - -
- H3 - H2 - H1

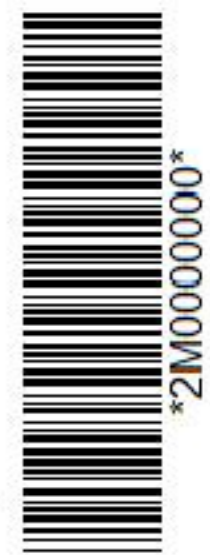
Note: X0 Terminal at the bottom

GE Energy Industrial Solutions

NEMA CLASS AA DRY TYPE TRANSFORMER

Meets TP-1 2002 efficiency

X3 - X2 - X1 -
- H3 - H2 - H1



2M000000

X3 - X2 - X1 -
- H3 - H2 - H1



3M000000

X0