



Transformer



1M000000

Catalog Number **Type QL**

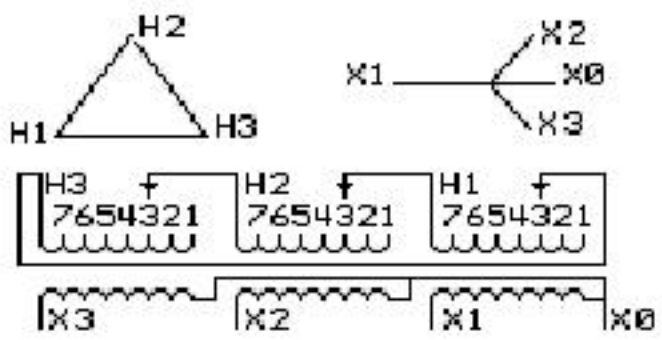
9Q3A025ABAA00A2T00
9T83B3352G51

25.0 KVA 60 HZ 3 PH 5.5 % IMP

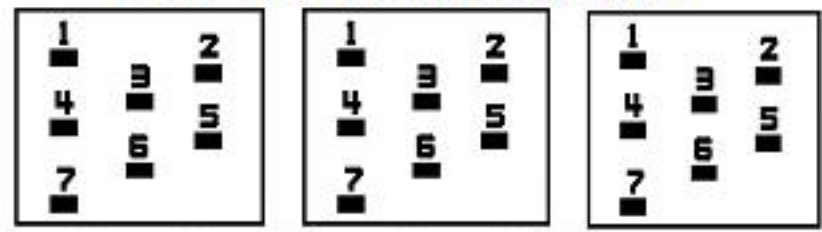
40 C AMB. 150 C RISE 220 C SYSTEM IS-19C

Note: Design is based on 30.00KVA & 150C Rise 6.6% Imp.

9T83B3352 9T83B3352
150922JA0 303B401AAP072 YNNN 40150
220IS-19COL 3 60AL100149N30.00 6.6 33
4 450(+2,-4 2.5



COIL TAP ARRANGEMENT



NSALE0 30.000460
+2,-4 2.50%
208Y/120

NN
N9T18Y4317G05T
TRANSFORMER E
ENERGY-NOG H0
0

NET WGT
334 LB
151.5 Kg

57819
XV372
NOG
092215

INSPECTION
&
FINAL TEST
N539!

520



LISTED 769G

Assembled in Mexico

ENCLOSURE TYPE 2 (IP30). RAINPROOF TYPE 3R ENCLOSURE (IP32) WHEN PROVIDED SHIELD 9T18Y4317G05

BEFORE HANDLING, INSTALLING AND OPERATING, SEE INSTRUCTION 475A667AAP001 Outline: 303B401AAP072
ALUMINUM CONDUCTOR PRIMARY: 10 KV BIL SECONDARY: 10 KV BIL

IN ACCORDANCE WITH NEC SECTION 450-9, ALLOW AT LEAST SIX INCHES
CLEARANCE FOR VENTILATION. CHECK ADDITIONAL NEC AND LOCAL CODES.

X3 - X2 - X1 - -
- H3 - H2 - H1

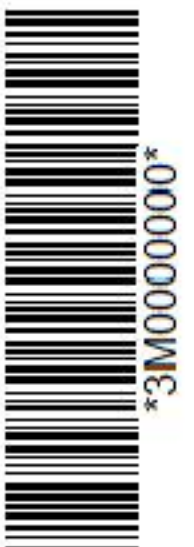
Note: X0 Terminal at the bottom

X1 -
X2 -
X3 -
H3 -
H2 -
H1 -



2M000000

X1 -
X2 -
X3 -
H3 -
H2 -
H1 -



3M000000

X0