



Transformer



1M000000

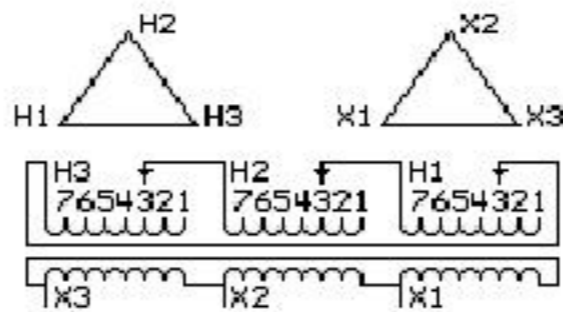
Catalog Number **9Q3A011AABU00A2N00** Type **QL**

9T83B3360

11.0 KVA 60 HZ 3 PH 4.2 % IMP

40 C AMB. 150 C RISE 220 C SYSTEM IS-19C

Note: Design is based on 15.00KVA & 150C Rise 5.8% Imp.



JUMPER CONNECTION	
TAP	VOLTS
1	504
2	492
3	480
4	468
5	455
6	444
7	432

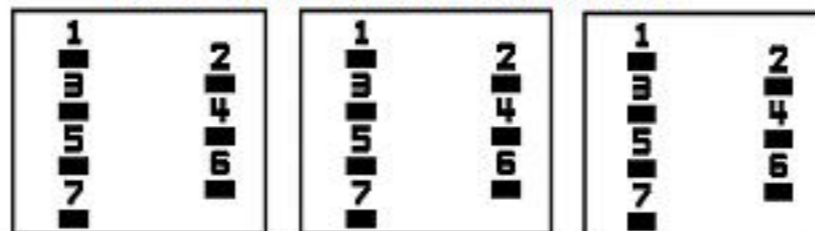
NET WGT
240 LB
108.9 Kg

54399
XV371
NOG
071615

INSPECTION
&
FINAL TEST
N529!

PRIMARY (H) 480 VOLTS (LINE-LINE)
SECONDARY (X) 208 VOLTS (LINE-LINE)

COIL TAP ARRANGEMENT



ENCLOSURE TYPE 2 (IP30). RAINPROOF TYPE 3R ENCLOSURE (IP32) WHEN PROVIDED SHIELD 9T18Y4317G11

Assembled in Mexico

BEFORE HANDLING, INSTALLING AND OPERATING, SEE INSTRUCTION 475A667AAP001
ALUMINUM CONDUCTOR PRIMARY: 10 KV BIL SECONDARY: 10 KV BIL

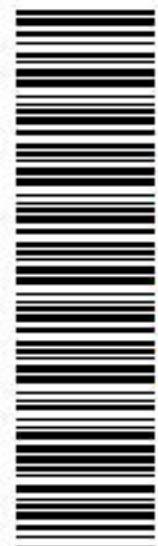
Outline: 303B401AAP071

IN ACCORDANCE WITH NEC SECTION 450-9, ALLOW AT LEAST SIX INCHES
CLEARANCE FOR VENTILATION. CHECK ADDITIONAL NEC AND LOCAL CODES.

X3 - X2 - X1 - -
- H3 - H2 - H1

Note: Standard

X1 - -
X2 - - H2 - H1
X3 - - H3 - H2 - H1



2M000000



3M000000