



# Transformer



\*1M000000\*

X0

X0

Catalog Number

Type QL

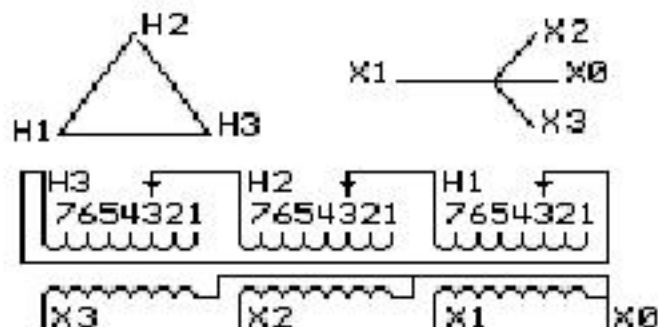
9Q3A011AAAZ00B2N00

9T83B3380G15

11.0 KVA 60 HZ 3 PH 4 % IMP

40 C AMB. 115 C RISE 220 C SYSTEM IS-19C

Note: Design is based on 15.00KVA & 150C Rise 5.5% Imp.



JUMPER CONNECTION	
TAP	VOLTS
1	505
2	492
3	480
4	468
5	455
6	444
7	432

NET WGT  
240 LB  
108.9 Kg

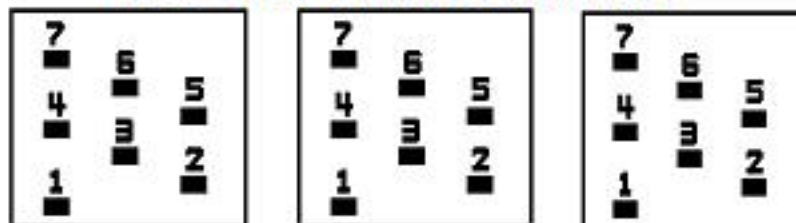
54404  
XV371

NOG  
071615

INSPECTION  
&  
FINAL TEST  
N529!

PRIMARY (H) 480 VOLTS (LINE-LINE)  
 SECONDARY (X) 220 VOLTS (LINE-LINE)  
 127 VOLTS (LINE-NEUTRAL)

### COIL TAP ARRANGEMENT



LISTED 769G

Assembled in Mexico

ENCLOSURE TYPE 2 (IP30). RAINPROOF TYPE 3R ENCLOSURE (IP32) WHEN PROVIDED SHIELD 9T18Y4317G11

BEFORE HANDLING, INSTALLING AND OPERATING, SEE INSTRUCTION 475A667AAP001  
ALUMINUM CONDUCTOR PRIMARY: 10 KV BIL SECONDARY: 10 KV BIL

Outline: 303B401AAP071

IN ACCORDANCE WITH NEC SECTION 450-9, ALLOW AT LEAST SIX INCHES  
CLEARANCE FOR VENTILATION. CHECK ADDITIONAL NEC AND LOCAL CODES.

X3 - X2 - X1 - X0  
 - H3 - H2 - H1

Note: Standard



\*2M000000\*



\*3M000000\*