



Transformer



1M000000

X0

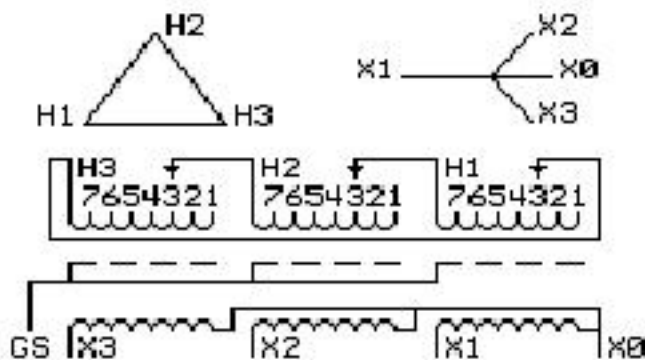
X0

Catalog Number
9T83B3381G03

Type QL

15.0 KVA 60 HZ 3 PH 5.9 % IMP

40 C AMB. 150 C RISE 220 C SYSTEM IS-19C



JUMPER CONNECTION TAP	VOLTS
1	503
2	492
3	480
4	468
5	457
6	445
7	434

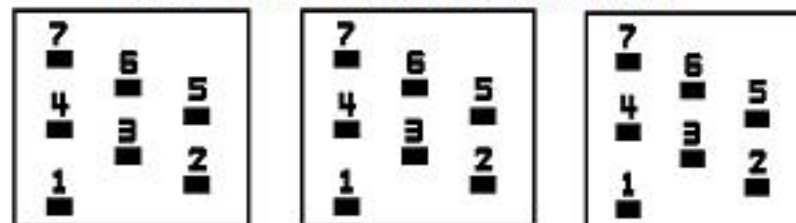
NET WGT
240 LB
108.9 Kg

54405
XV371
NOG
071615

INSPECTION & FINAL TEST
N529!

PRIMARY (H) 480 VOLTS (LINE-LINE)
 SECONDARY (X) 220 VOLTS (LINE-LINE)
 127 VOLTS (LINE-NEUTRAL)

COIL TAP ARRANGEMENT



LISTED 769G

X3

X3

ELECTROSTATIC GROUND SHIELD IN EACH PHASE

ENCLOSURE TYPE 2 (IP30). RAINPROOF TYPE 3R ENCLOSURE (IP32) WHEN PROVIDED SHIELD 9T18Y4317G11

Assembled in Mexico

BEFORE HANDLING, INSTALLING AND OPERATING, SEE INSTRUCTION 475A667AAP001
ALUMINUM CONDUCTOR PRIMARY: 10 KV BIL SECONDARY: 10 KV BIL

Outline: 303B401AAP071

X3 - X2 - X1 - X0
 - H3 - H2 - H1

IN ACCORDANCE WITH NEC SECTION 450-9, ALLOW AT LEAST SIX INCHES CLEARANCE FOR VENTILATION. CHECK ADDITIONAL NEC AND LOCAL CODES.

Note: Standard



2M000000



3M000000