



Transformer



1M000000

Catalog Number

Type QL

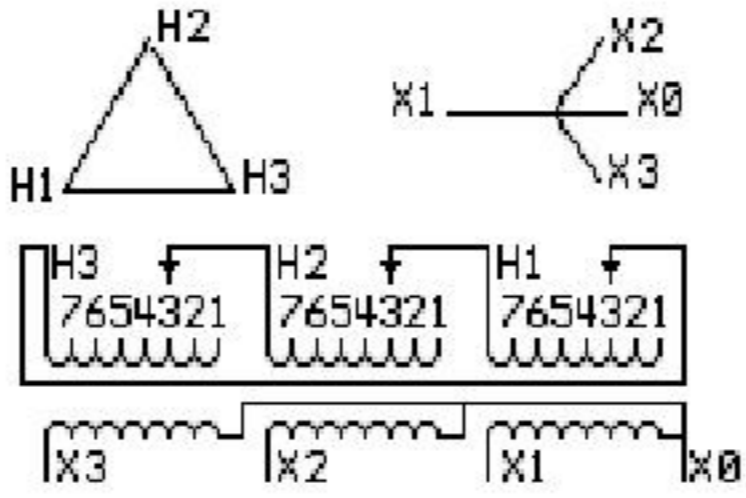
9T83B3384G52

50.0 KVA 60 HZ 3 PH 4.2 % IMP

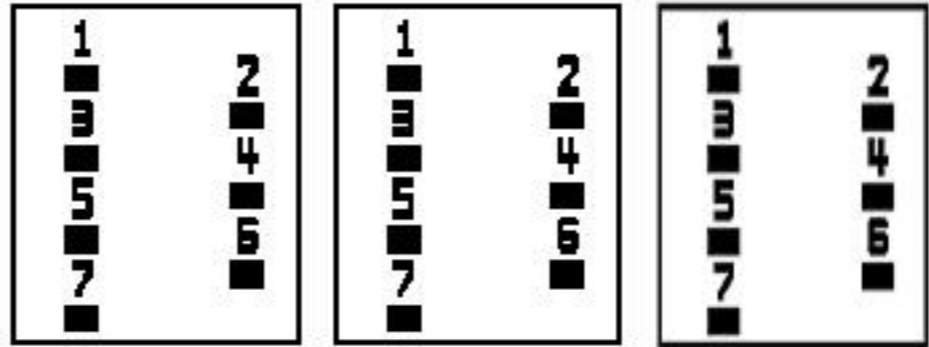
40 C AMB. 150 C RISE 220 C SYSTEM IS-19C

Note: Design is based on 75.00KVA & 150C Rise 5.4% Imp.

PRIMARY (H) 480 VOLTS (LINE-LINE)
SECONDARY (X) 220 VOLTS (LINE-LINE)
127 VOLTS (LINE-NEUTRAL)



COIL TAP ARRANGEMENT



| JUMPER CONNECTION | |
|-------------------|-------|
| TAP | VOLTS |
| 1 | 504 |
| 2 | 493 |
| 3 | 480 |
| 4 | 467 |
| 5 | 456 |
| 6 | 445 |
| 7 | 433 |

NET WGT
620 LB
281.2 Kg

55590
XU374
NOG
092415

INSPECTION
&
FINAL TEST
N539!



LISTED 769G

Assembled in Mexico

ENCLOSURE TYPE 2 (IP30). RAINPROOF TYPE 3R ENCLOSURE (IP32) WHEN PROVIDED SHIELD 9T18Y4317G06

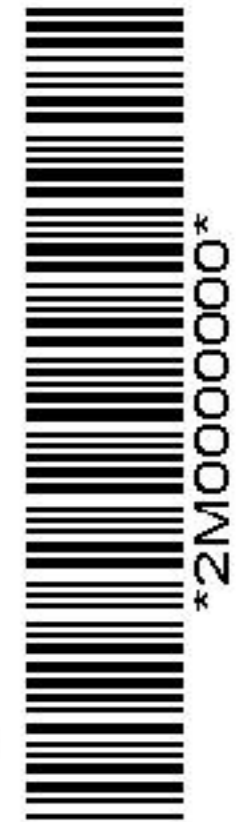
BEFORE HANDLING, INSTALLING AND OPERATING, SEE INSTRUCTION 475A667AAP001 Outline: 303B401AAP074
ALUMINUM CONDUCTOR PRIMARY: 10 KV BIL SECONDARY: 10 KV BIL

IN ACCORDANCE WITH NEC SECTION 450-9, ALLOW AT LEAST SIX INCHES CLEARANCE FOR VENTILATION. CHECK ADDITIONAL NEC AND LOCAL CODES.

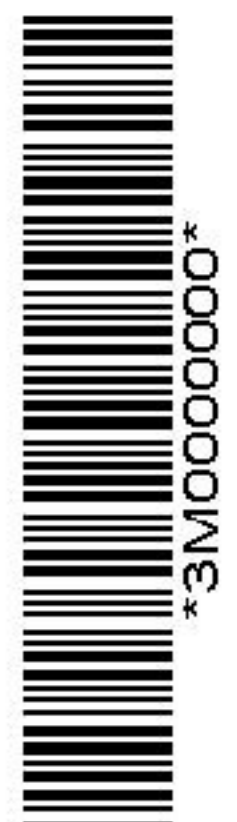
X3 - X2 - X1 - -
- H3 - H2 - H1

Note: X0 Terminal at the bottom

X1 - - H1
X2 - - H2
X3 - - H3
X1 - - H1
X2 - - H2
X3 - - H3



2M000000



3M000000

X0