



Transformer



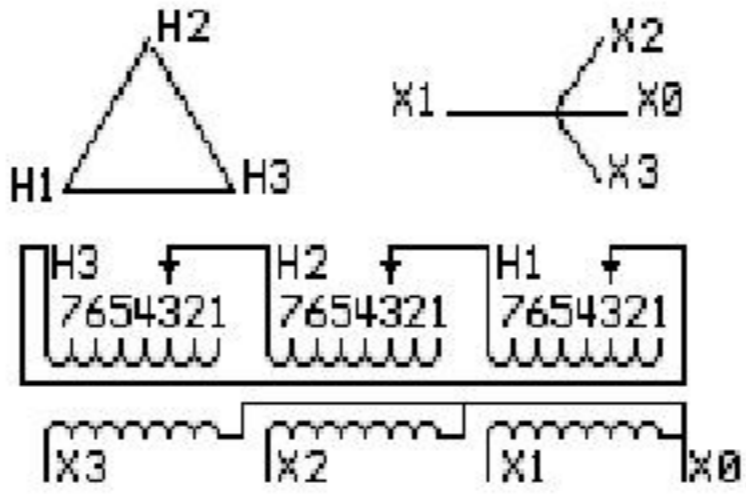
1M000000

Catalog Number **Type QL**
9Q3A075AAAZ00C2T00
9T83B3384G80

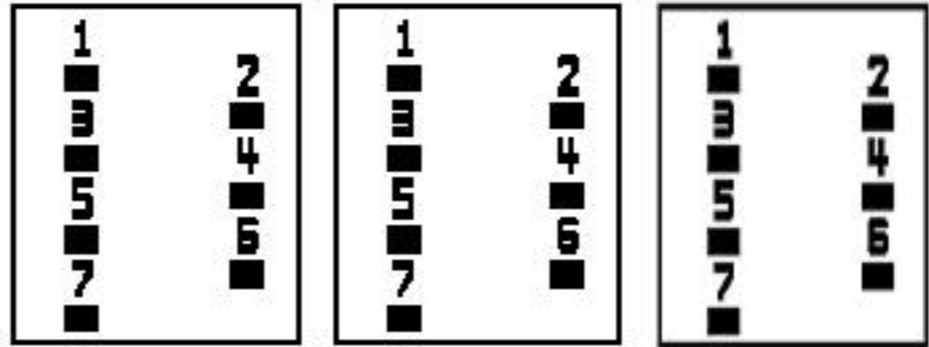
75.0 KVA 60 HZ 3 PH 3.8 % IMP

40 C AMB. 80 C RISE 220 C SYSTEM IS-19C
Note: Design is based on 112.5KVA & 150C Rise 5.7% Imp.

PRIMARY (H) 480 VOLTS (LINE-LINE)
 SECONDARY (X) 220 VOLTS (LINE-LINE)
 127 VOLTS (LINE-NEUTRAL)



COIL TAP ARRANGEMENT



JUMPER CONNECTION	
TAP	VOLTS
1	503
2	493
3	480
4	469
5	454
6	445
7	430

NET WGT
 765 LB
 347.0 Kg

55047
 XU375
 NOG
 092415

INSPECTION
 &
 FINAL TEST
 N539!



LISTED 769G

Assembled in Mexico

ENCLOSURE TYPE 2 (IP30). RAINPROOF TYPE 3R ENCLOSURE (IP32) WHEN PROVIDED SHIELD 9T18Y4317G06

BEFORE HANDLING, INSTALLING AND OPERATING, SEE INSTRUCTION 475A667AAP001 Outline: 303B401AAP075
 ALUMINUM CONDUCTOR PRIMARY: 10 KV BIL SECONDARY: 10 KV BIL

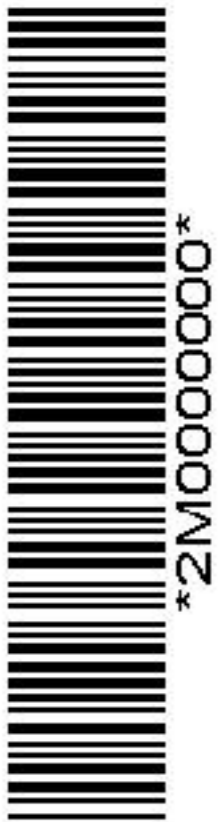
IN ACCORDANCE WITH NEC SECTION 450-9, ALLOW AT LEAST SIX INCHES
 CLEARANCE FOR VENTILATION. CHECK ADDITIONAL NEC AND LOCAL CODES.

X3 - X2 - X1 - -
 - H3 - H2 - H1

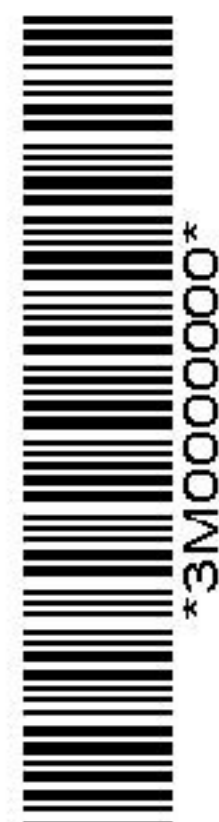
Note: X0 Terminal at the bottom

X1 - - H1
 X2 - - H2
 X3 - - H3
 X1 - - H1
 X2 - - H2
 X3 - - H3

X0



2M000000



3M000000