

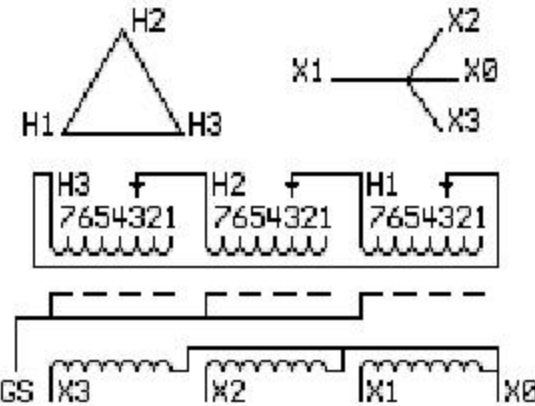


Transformer

Catalog Number **9T83B3387G03**

225.0 KVA 60 HZ 3 PH 6.2 % IMP

40 C AMB. 150 C RISE 220 C SYSTEM IS-19C Type: Q1

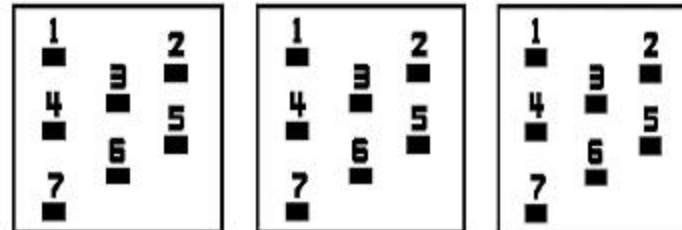


JUMPER CONNECTION

TAP	VOLTS
1	502
2	489
3	480
4	470
5	457
6	445
7	432

PRIMARY (H) 480 VOLTS (LINE-LINE)
 SECONDARY (X) 220 VOLTS (LINE-LINE)
 127 VOLTS (LINE-NEUTRAL)

COIL TAP ARRANGEMENT



NET WGT 1590 LB 721.2 Kg

111311 N147! XN377

9T83B3387G 21120 NOG

ELECTROSTATIC GROUND SHIELD IN EACH PHASE

ENCLOSURE TYPE 2 (IP30). RAINPROOF TYPE 3R ENCLOSURE (IP32) WHEN PROVIDED SHIELD 9T18Y4322G79

BEFORE HANDLING, INSTALLING AND OPERATING, SEE INSTRUCTION 475A667AAP001

ALUMINUM CONDUCTOR PRIMARY: 10 KV BIL SECONDARY: 10 KV BIL

IN ACCORDANCE WITH NEC SECTION 450-9, ALLOW AT LEAST SIX INCHES CLEARANCE FOR VENTILATION. CHECK ADDITIONAL NEC AND LOCAL CODES.



LISTED 769G

Outline: 303B919AAP077

Assembled in Mexico

INSPECTION & FINAL TEST

N147!

