



# Transformer



\*1M000000\*

X0

X0

Catalog Number

Type QL

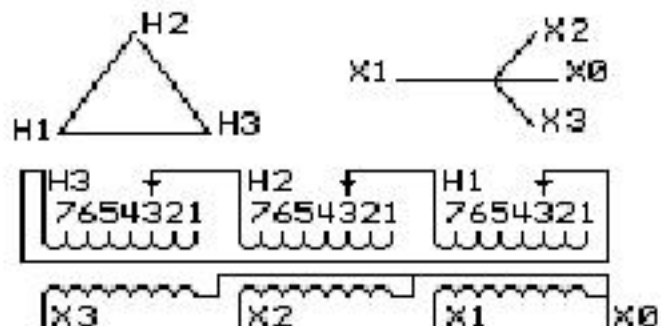
9Q3A011AABL00A2N00

9T83B3540

11.0 KVA 60 HZ 3 PH 4.4 % IMP

40 C AMB. 150 C RISE 220 C SYSTEM IS-19C

Note: Design is based on 15.00KVA & 150C Rise 7% Imp.



| JUMPER CONNECTION |       |
|-------------------|-------|
| TAP               | VOLTS |
| 1                 | 505   |
| 2                 | 492   |
| 3                 | 480   |
| 4                 | 468   |
| 5                 | 456   |
| 6                 | 444   |
| 7                 | 432   |

NET WGT  
240 LB  
108.9 Kg

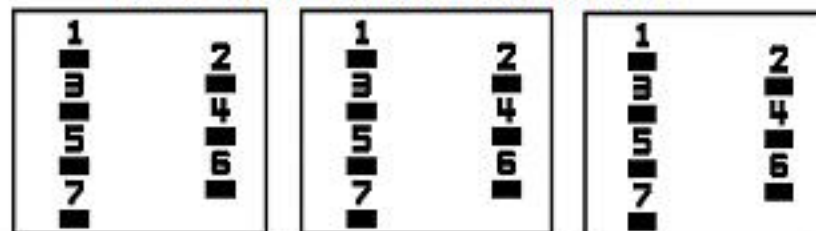
55475  
XV371

NOG  
081515

INSPECTION  
&  
FINAL TEST  
N533!

PRIMARY (H) 480 VOLTS (LINE-LINE)  
 SECONDARY (X) 400 VOLTS (LINE-LINE)  
 231 VOLTS (LINE-NEUTRAL)

### COIL TAP ARRANGEMENT



LISTED 769G

ENCLOSURE TYPE 2 (IP30). RAINPROOF TYPE 3R ENCLOSURE (IP32) WHEN PROVIDED SHIELD 9T18Y4317G11

Assembled in Mexico

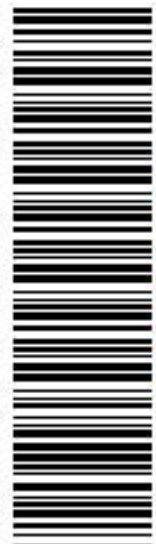
BEFORE HANDLING, INSTALLING AND OPERATING, SEE INSTRUCTION 475A667AAP001  
ALUMINUM CONDUCTOR PRIMARY: 10 KV BIL SECONDARY: 10 KV BIL

Outline: 303B401AAP071

IN ACCORDANCE WITH NEC SECTION 450-9, ALLOW AT LEAST SIX INCHES  
CLEARANCE FOR VENTILATION. CHECK ADDITIONAL NEC AND LOCAL CODES.

X3 - X2 - X1 - X0  
 - H3 - H2 - H1

Note: Standard



\*2M000000\*



\*3M000000\*