



# Transformer



\*1M000000\*

Catalog Number

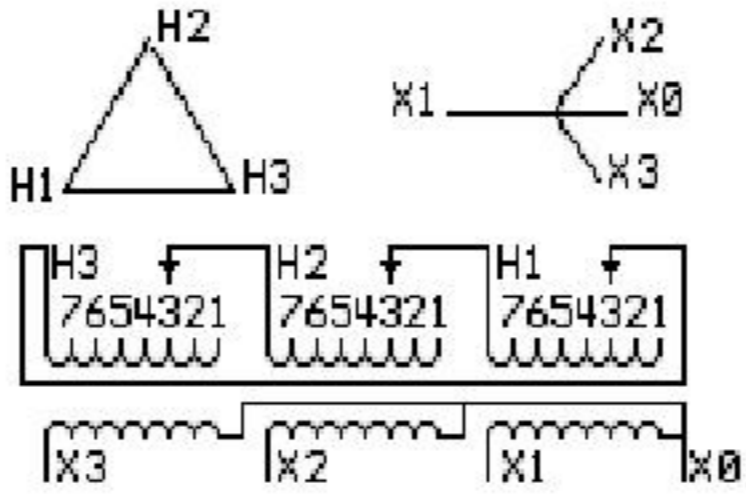
Type QL

9T83B3545

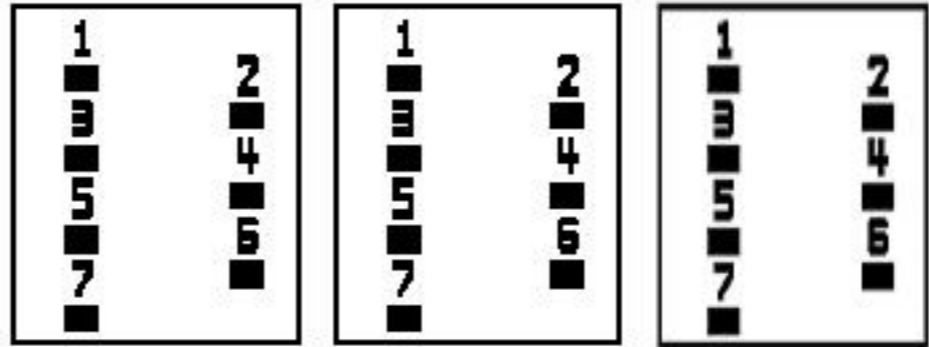
112.5 KVA 60 HZ 3 PH 5.7 % IMP

40 C AMB. 150 C RISE 220 C SYSTEM IS-19C

PRIMARY (H) 480 VOLTS (LINE-LINE)  
SECONDARY (X) 400 VOLTS (LINE-LINE)  
231 VOLTS (LINE-NEUTRAL)



### COIL TAP ARRANGEMENT



JUMPER CONNECTION	
TAP	VOLTS
1	505
2	491
3	480
4	467
5	457
6	443
7	433

NET WGT  
765 LB  
347.0 Kg

55058  
XU375  
NOG  
092415

INSPECTION  
&  
FINAL TEST  
N539!



LISTED 769G

Assembled in Mexico

ENCLOSURE TYPE 2 (IP30). RAINPROOF TYPE 3R ENCLOSURE (IP32) WHEN PROVIDED SHIELD 9T18Y4317G06

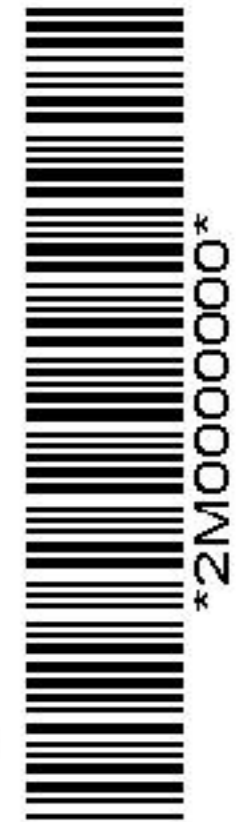
BEFORE HANDLING, INSTALLING AND OPERATING, SEE INSTRUCTION 475A667AAP001 Outline: 303B401AAP075  
ALUMINUM CONDUCTOR PRIMARY: 10 KV BIL SECONDARY: 10 KV BIL

IN ACCORDANCE WITH NEC SECTION 450-9, ALLOW AT LEAST SIX INCHES CLEARANCE FOR VENTILATION. CHECK ADDITIONAL NEC AND LOCAL CODES.

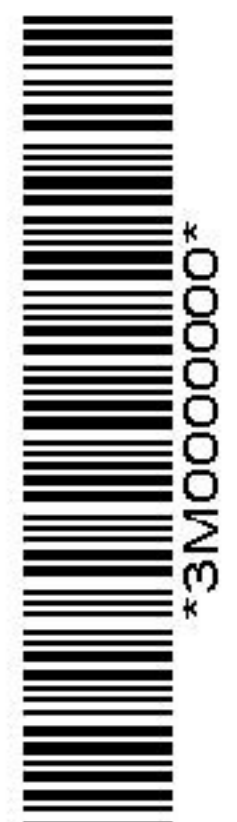
X3 - X2 - X1 - -  
- H3 - H2 - H1

Note: X0 Terminal at the bottom

X1 - -  
X2 - - H1  
X3 - - H2 - H1  
X3 - - H3 - H2 - H1  
X3 - - H3 - H2 - H1  
X3 - - H3 - H2 - H1



\*2M000000\*



\*3M000000\*

X0