



Transformer



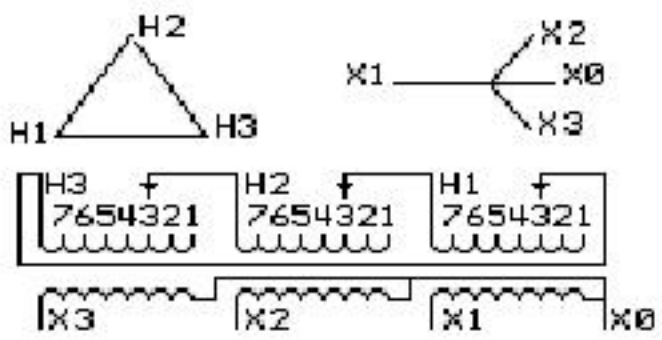
1M000000

Catalog Number **Type QL**

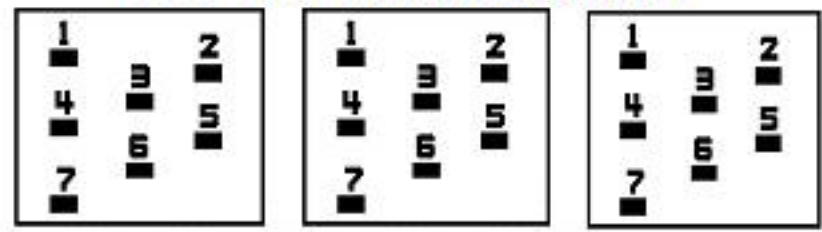
9Q3A150AABN00A2T00
9T83B3556

150.0 KVA 60 HZ 3 PH 5.1 % IMP

40 C AMB. 150 C RISE 220 C SYSTEM IS-19C



COIL TAP ARRANGEMENT



NSALE0 112.500240C
+2,-4 2.20%
480Y/277

NN
N9T18Y4317G07T
TRANSFORMER E
ENERGY-NOG X0
0

NET WGT
1070 LB
485.4 Kg

57746
XV376
NOG
092115

INSPECTION
&
FINAL TEST
N539!

520



LISTED 769G

Assembled in Mexico

ENCLOSURE TYPE 2 (IP30). RAINPROOF TYPE 3R ENCLOSURE (IP32) WHEN PROVIDED SHIELD 9T18Y4317G07

BEFORE HANDLING, INSTALLING AND OPERATING, SEE INSTRUCTION 475A667AAP001 Outline: 303B401AAP076
ALUMINUM CONDUCTOR PRIMARY: 10 KV BIL SECONDARY: 10 KV BIL

IN ACCORDANCE WITH NEC SECTION 450-9, ALLOW AT LEAST SIX INCHES
CLEARANCE FOR VENTILATION. CHECK ADDITIONAL NEC AND LOCAL CODES.

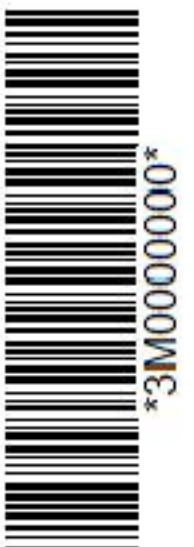
X3 - X2 - X1 - -
- H3 - H2 - H1

Note: X0 Terminal at the bottom

X1 -
X2 - H3 - H2 - H1
X3 - X2 - X1 -
X3 - H3 - H2 - H1



2M000000



3M000000