



Transformer



1M000000

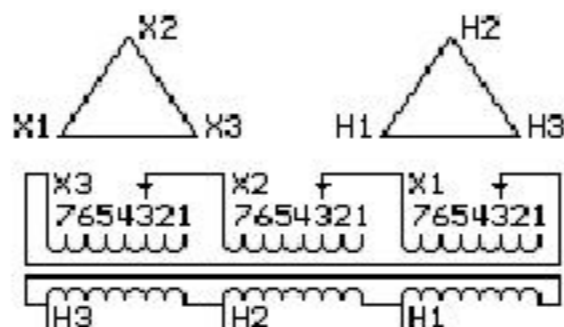
Catalog Number **9Q3A011AAAQ00A2N00** Type **QL**

9T83B3570

11.0 KVA 60 HZ 3 PH 4.7 % IMP

40 C AMB. 150 C RISE 220 C SYSTEM IS-19C

Note: Design is based on 15.00KVA & 150C Rise 6.4% Imp.



JUMPER CONNECTION	
TAP	VOLTS
1	504
2	493
3	480
4	467
5	456
6	444
7	433

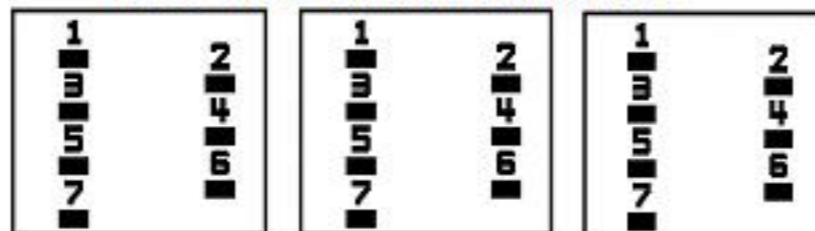
NET WGT
240 LB
108.9 Kg

54431
XV371
NOG
071615

INSPECTION
&
FINAL TEST
N529!

PRIMARY (X) 480 VOLTS (LINE-LINE)
SECONDARY (H) 575 VOLTS (LINE-LINE)

COIL TAP ARRANGEMENT



LISTED 769G

ENCLOSURE TYPE 2 (IP30). RAINPROOF TYPE 3R ENCLOSURE (IP32) WHEN PROVIDED SHIELD 9T18Y4317G11

Assembled in Mexico

BEFORE HANDLING, INSTALLING AND OPERATING, SEE INSTRUCTION 475A667AAP001
ALUMINUM CONDUCTOR PRIMARY: 10 KV BIL SECONDARY: 10 KV BIL

Outline: 303B401AAP071

IN ACCORDANCE WITH NEC SECTION 450-9, ALLOW AT LEAST SIX INCHES
CLEARANCE FOR VENTILATION. CHECK ADDITIONAL NEC AND LOCAL CODES.

H3 - H2 - H1 - -
- X3 - X2 - X1

Note: Standard

H3 - H2 - H1 -
- X3 - X2 - X1



2M000000



3M000000